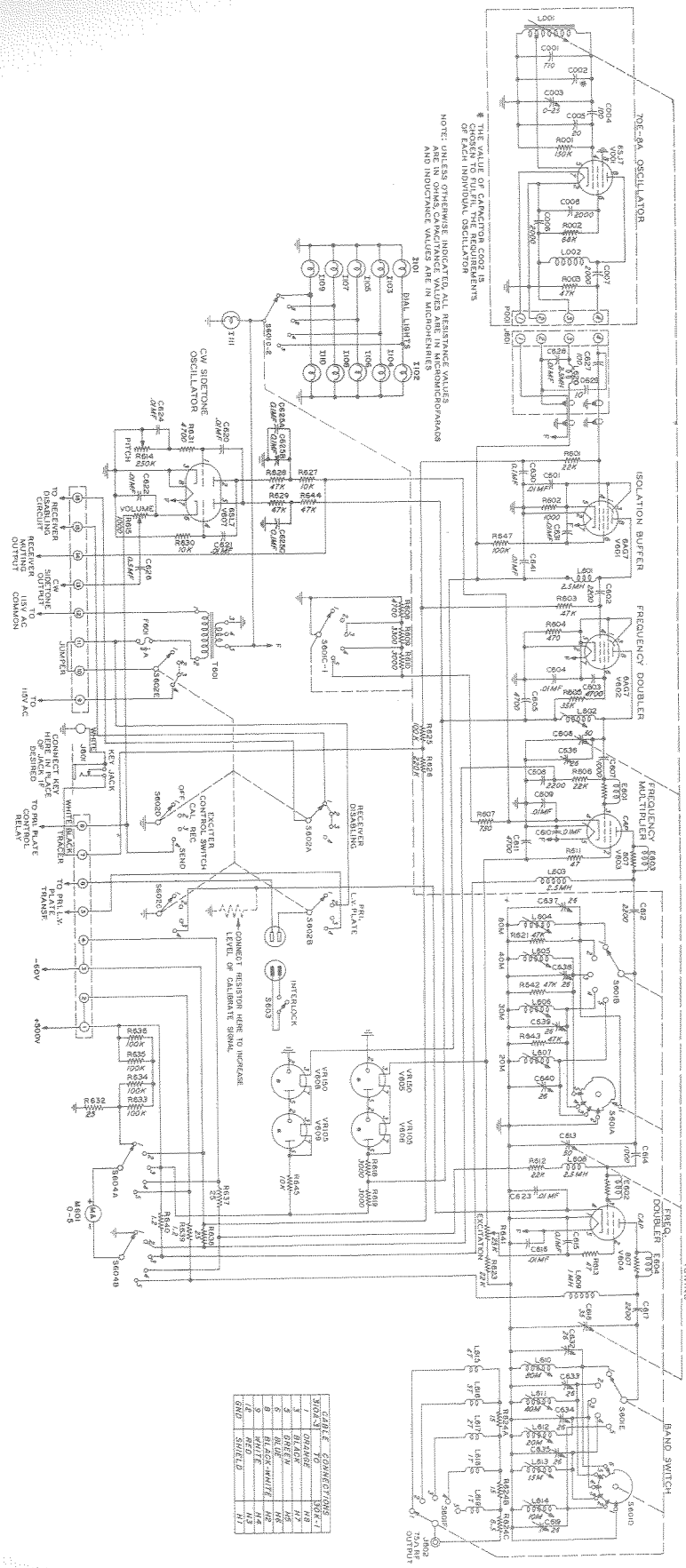


Figure 8-14 310A Exciter Unit Schematic Diagram



NOTE: THE VALUE OF CAPACITOR COEFFICIENT IS INDICATED BY THE LETTERS IN PARENTHESES. THE VALUE OF CAPACITANCE IS INDICATED BY THE NUMBER. THE VALUE OF RESISTANCE IS INDICATED BY THE LETTERS IN PARENTHESES. THE VALUE OF RESISTANCE IS INDICATED BY THE NUMBER.

NOTE: THE VALUE OF CAPACITANCE IS INDICATED BY THE NUMBER. THE VALUE OF RESISTANCE IS INDICATED BY THE LETTERS IN PARENTHESES. THE VALUE OF RESISTANCE IS INDICATED BY THE NUMBER.

NOTE: THE VALUE OF CAPACITANCE IS INDICATED BY THE NUMBER. THE VALUE OF RESISTANCE IS INDICATED BY THE LETTERS IN PARENTHESES. THE VALUE OF RESISTANCE IS INDICATED BY THE NUMBER.

NOTE: THE VALUE OF CAPACITANCE IS INDICATED BY THE NUMBER. THE VALUE OF RESISTANCE IS INDICATED BY THE LETTERS IN PARENTHESES. THE VALUE OF RESISTANCE IS INDICATED BY THE NUMBER.

NOTE: THE VALUE OF CAPACITANCE IS INDICATED BY THE NUMBER. THE VALUE OF RESISTANCE IS INDICATED BY THE LETTERS IN PARENTHESES. THE VALUE OF RESISTANCE IS INDICATED BY THE NUMBER.

NOTE: THE VALUE OF CAPACITANCE IS INDICATED BY THE NUMBER. THE VALUE OF RESISTANCE IS INDICATED BY THE LETTERS IN PARENTHESES. THE VALUE OF RESISTANCE IS INDICATED BY THE NUMBER.

NOTE: THE VALUE OF CAPACITANCE IS INDICATED BY THE NUMBER. THE VALUE OF RESISTANCE IS INDICATED BY THE LETTERS IN PARENTHESES. THE VALUE OF RESISTANCE IS INDICATED BY THE NUMBER.