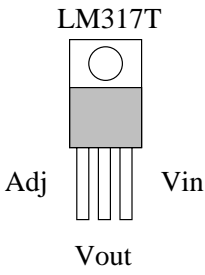
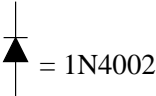
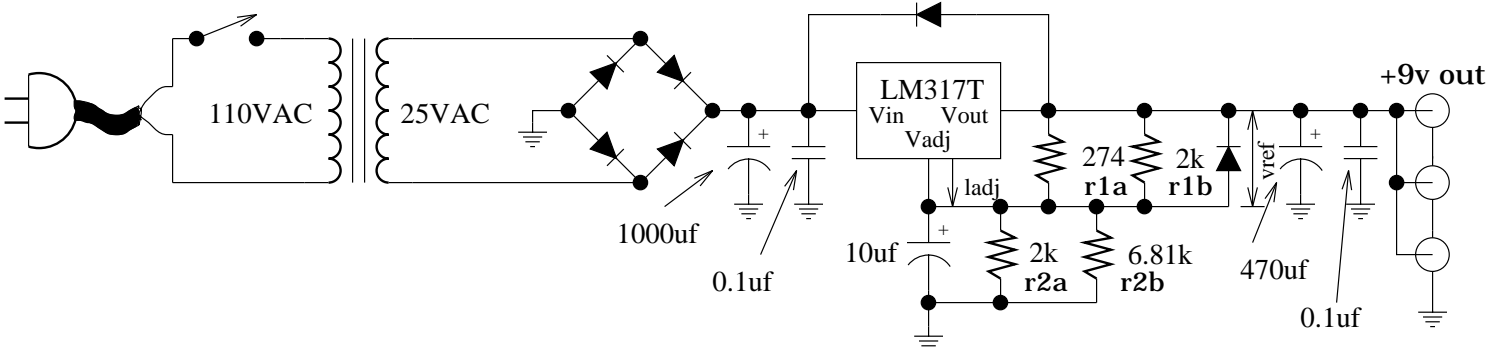


Ultra-Clean 9vdc Power Supply

Designed by Rick Barker



274 2k

$R1 = r1a \parallel r1b = 241 \text{ ohms}$

$R2 = r2a \parallel r2b = 1456 \text{ ohms}$

Vref = 1.25V

$I_{adj} = 50\mu\text{A}$

$V_{out} = V_{ref}(1+r2/r1)+I_{adj}*r2 = 9.35\text{VDC}$