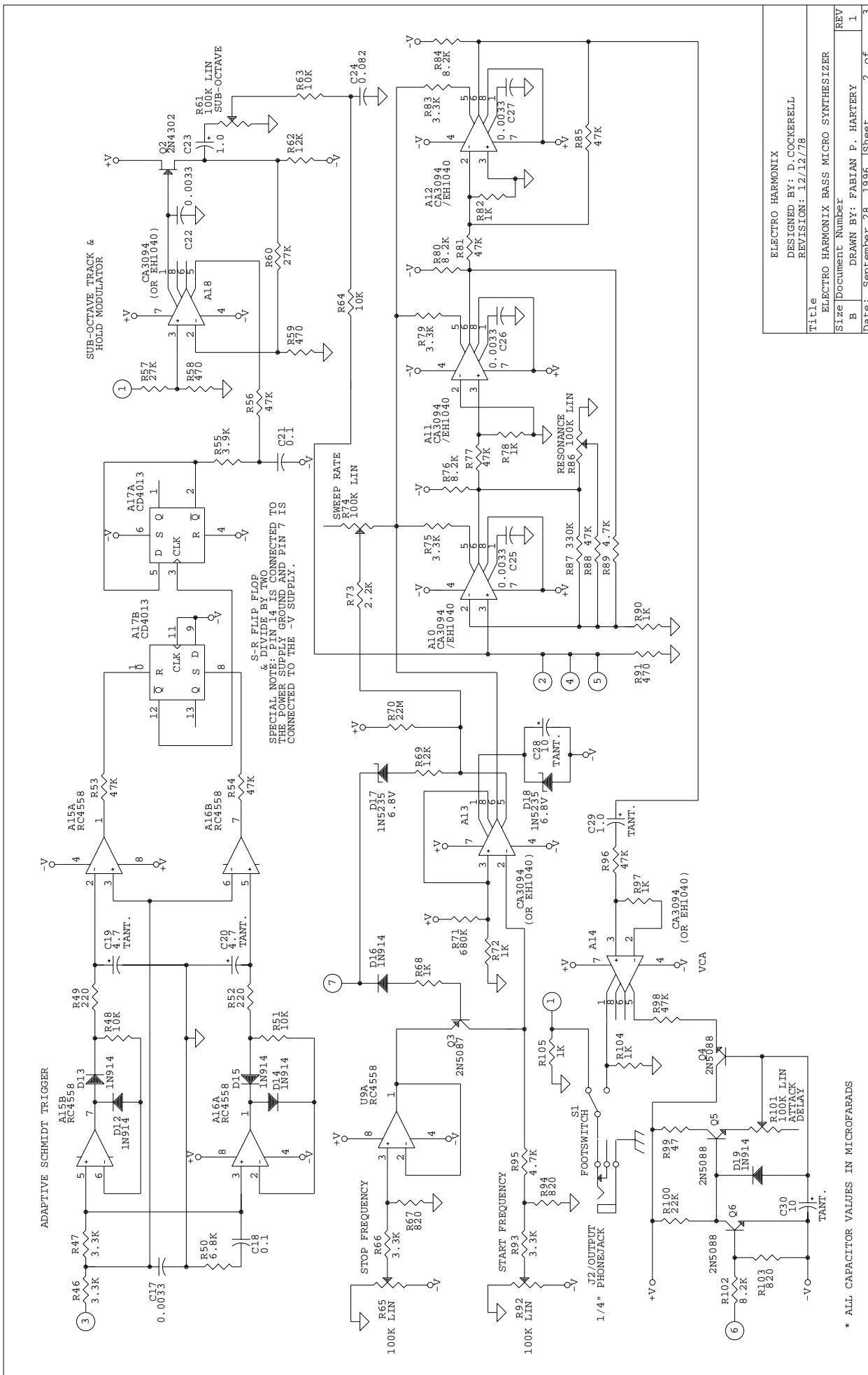


1 TO SUB-OCTAVE TRACK & HOLD MODULATOR (A18) & OUTPUT
 2 TO VCF (A10)
 3 TO ADAPTIVE SCHMITT TRIGGER
 6 TO VCA SWEEP GENERATOR
 7 TO VCF SWEEP GENERATOR

ELECTRO HARMONIX
 DESIGNED BY: D. COCKERELL
 REVISION: 12/12/78

Title
 ELECTRO HARMONIX BASS MICRO SYNTHESIZER
 Size Document Number
 A DRAWN BY: FABIAN P. HAFTERY
 Date: September 28, 1996 Sheet 1 of 3

* ALL CAPACITOR VALUES IN MICROFARADS



ELECTRO HARMONIX
 DESIGNED BY: D. COCKERELL
 REVISION: 12/12/78

Title
 ELECTRO HARMONIX BASS MICRO SYNTHESIZER

Size Document Number
 B

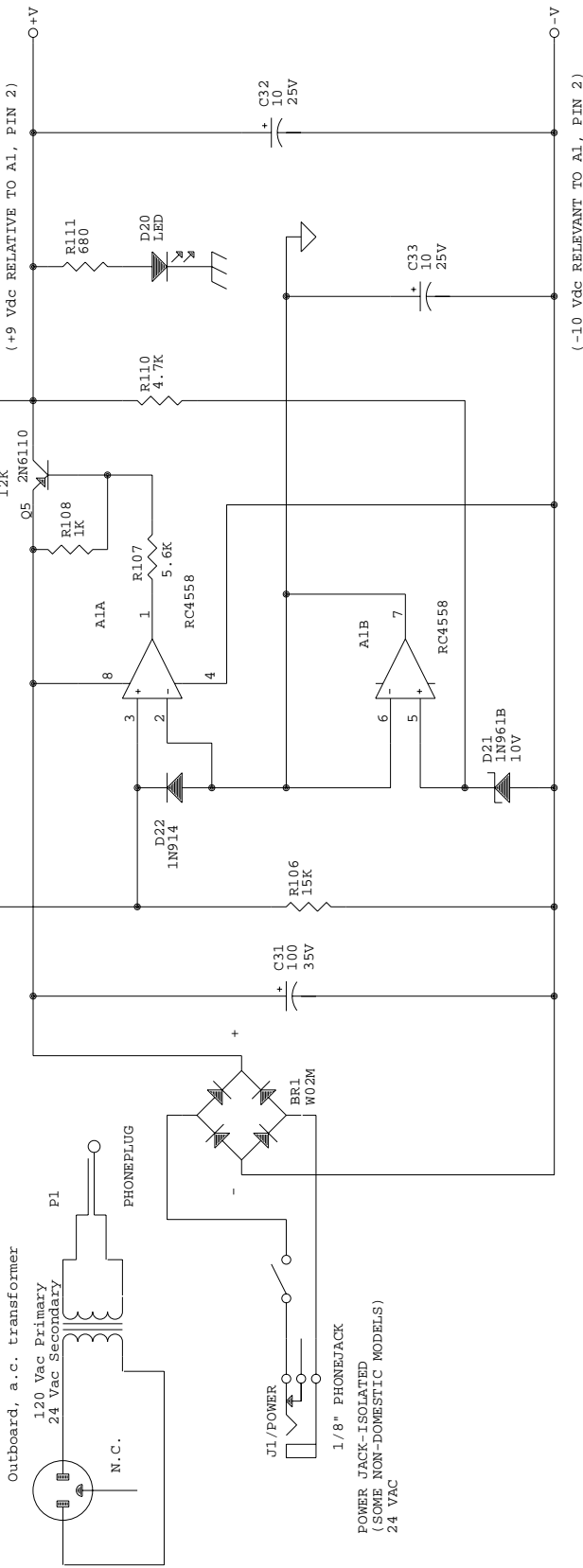
Drawn By: FABIAN P. HARTERY

REV
 1

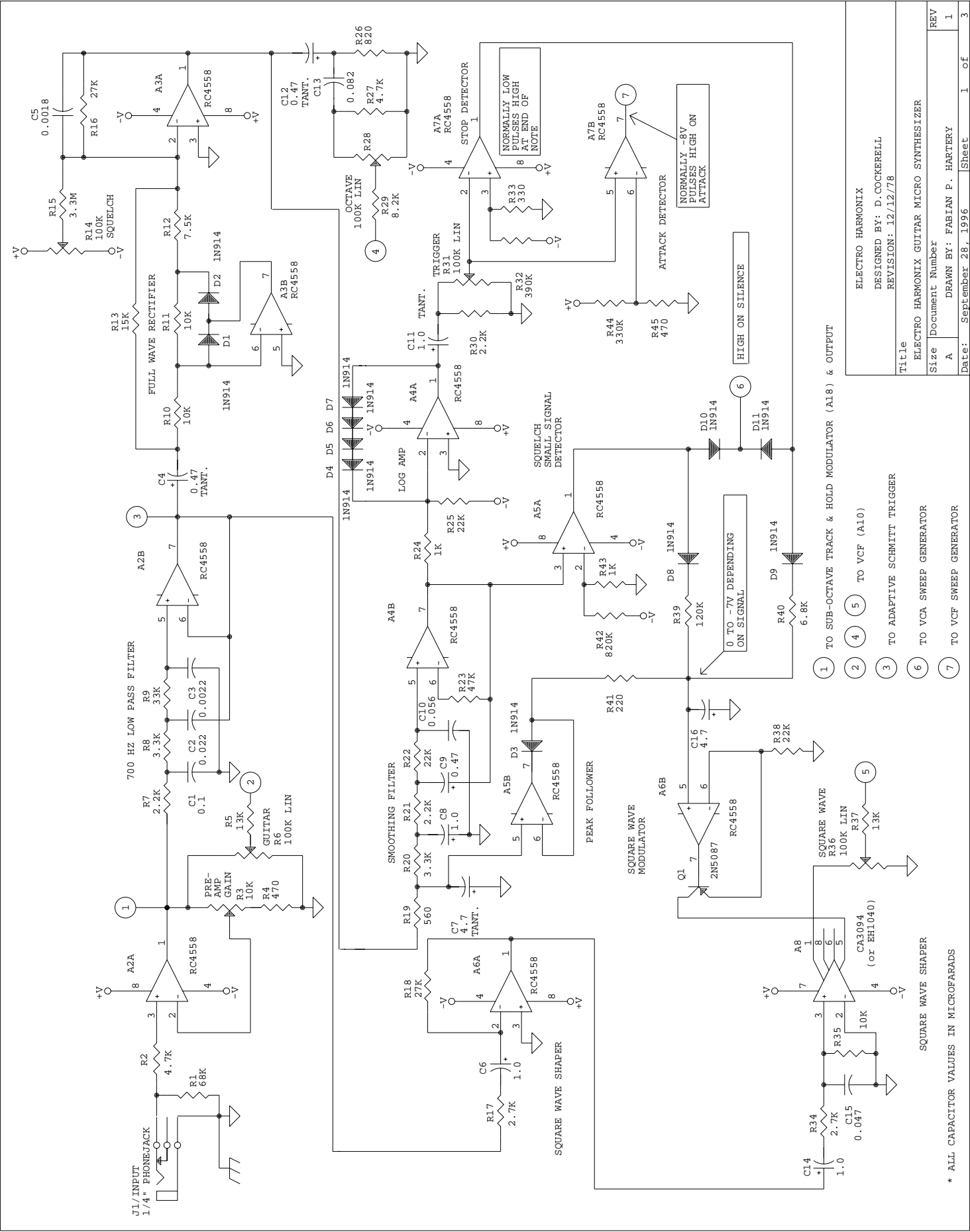
Date: September 28, 1996 Sheet 2 of 3

* ALL CAPACITOR VALUES IN MICROFARADS

2N6110 NORMALLY TOO HOT TO TOUCH



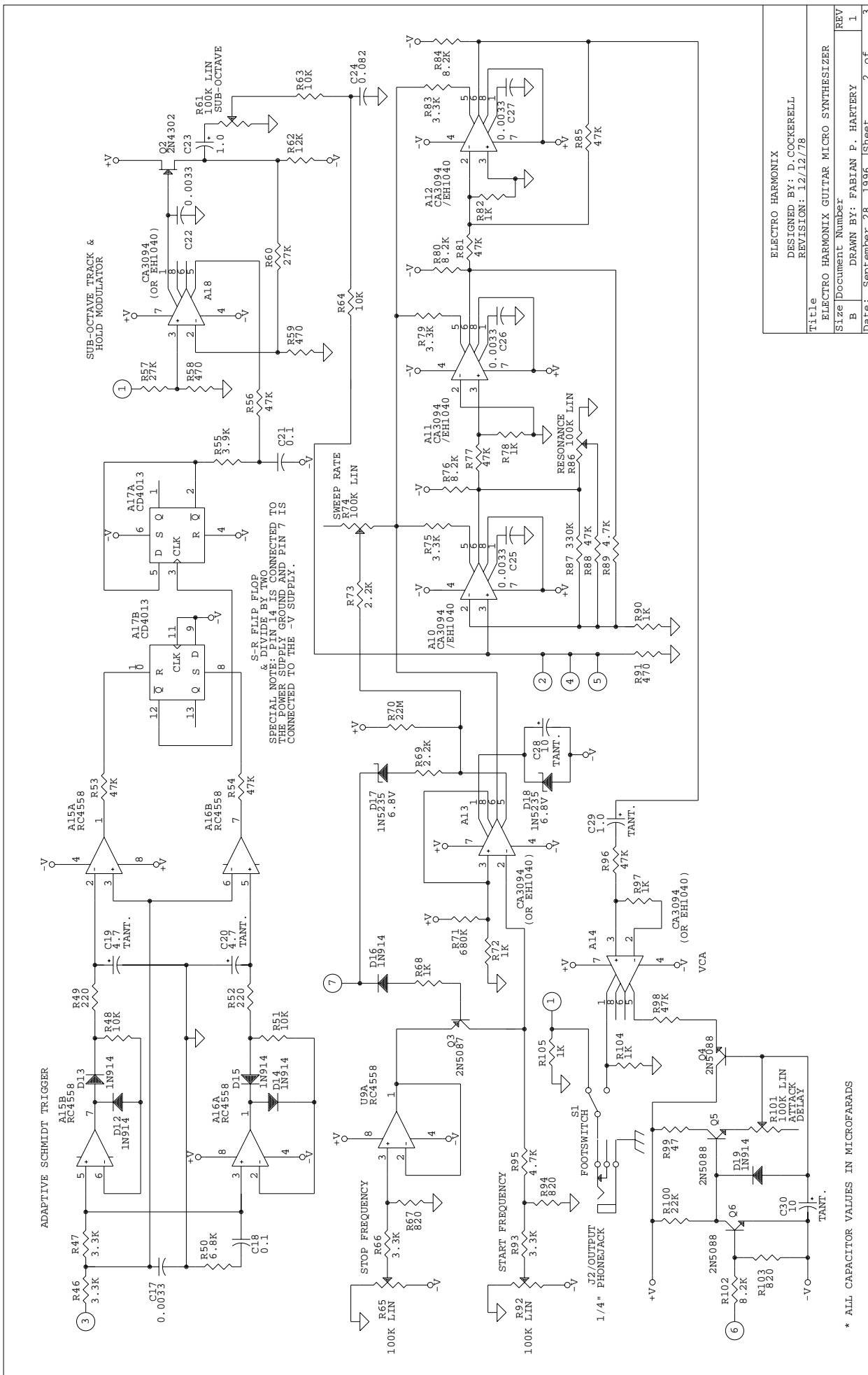
ELECTRO HARMONIX	
DESIGNED BY: D. COCKERELL	
REVISION: 12/12/78	
Title ELECTRO HARMONIX BASS MICRO SYNTHESIZER	
Size	Document Number
A	REV
Drawn By: FABIAN P. HARTERY	1
Date: September 28, 1996	Sheet 3 of 3



- 1 TO SUB-OCTAVE TRACK & HOLD MODULATOR (A18) & OUTPUT
- 2 TO VCF (A10)
- 3 TO ADAPTIVE SCHMITT TRIGGER
- 4 TO VCA SWEEP GENERATOR
- 5 TO VCF SWEEP GENERATOR
- 6 TO VCF SWEEP GENERATOR

ELECTRO HARMONIX
 DESIGNED BY: D. COCKERELL
 REVISION: 12/12/78
 Title
 ELECTRO HARMONIX GUITAR MICRO SYNTHESIZER
 Size Document Number
 A DRAWN BY: FABIAN P. HAFTERY
 Date: September 28, 1996 Sheet 1 of 3

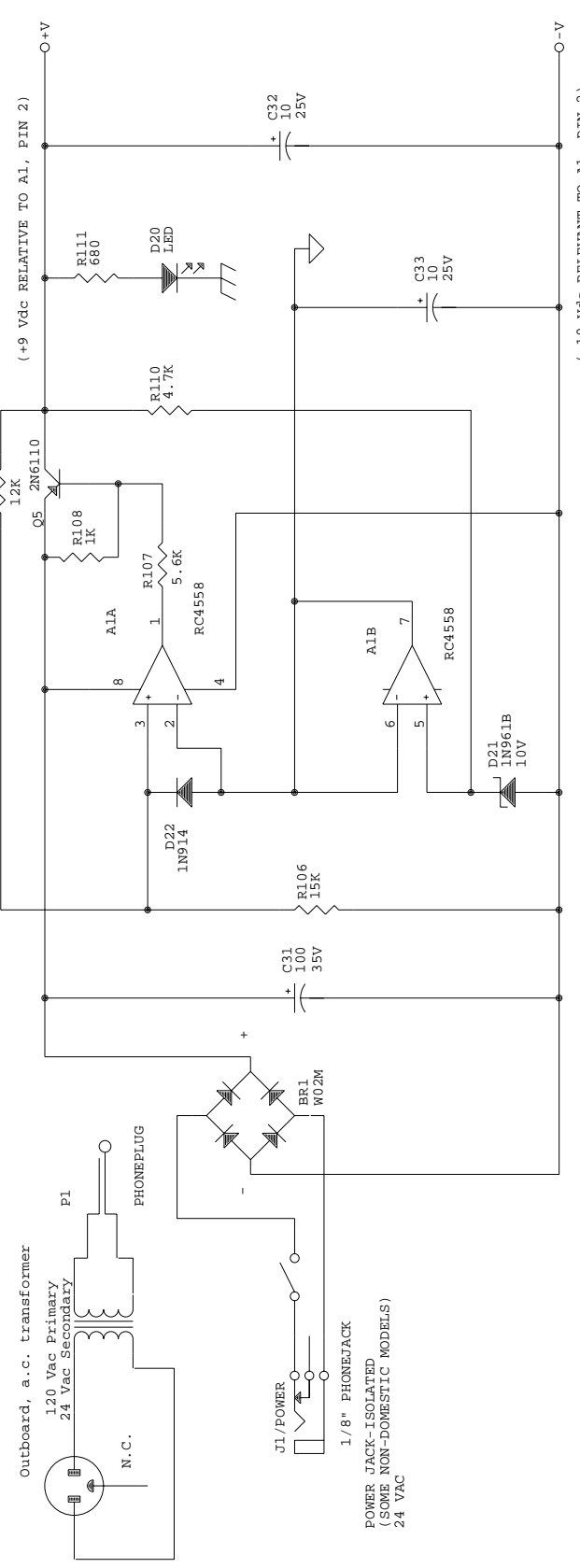
* ALL CAPACITOR VALUES IN MICROFARADS



ELECTRO HARMONIX	
DESIGNED BY: D. COCKERELL	
REVISION: 12/12/78	
Title	
ELECTRO HARMONIX GUITAR MICRO SYNTHESIZER	
Size Document Number	
B	DRAWN BY: FABIAN P. HARTERY
REV	Date: September 28, 1996 Sheet 2 of 3

* ALL CAPACITOR VALUES IN MICROFARADS

2N6110 NORMALLY TOO HOT TO TOUCH



ELECTRO HARMONIX	
DESIGNED BY: D. COCKERELL	
REVISION: 12/12/78	
Title	
ELECTRO HARMONIX GUITAR MICRO SYNTHESIZER	
Size	Document Number
A	A
Date:	September 28, 1996
Sheet	3 of 3
REV	1