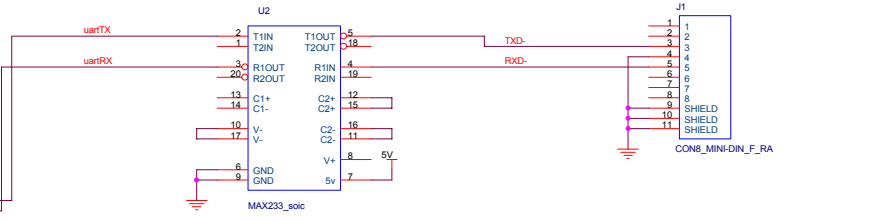
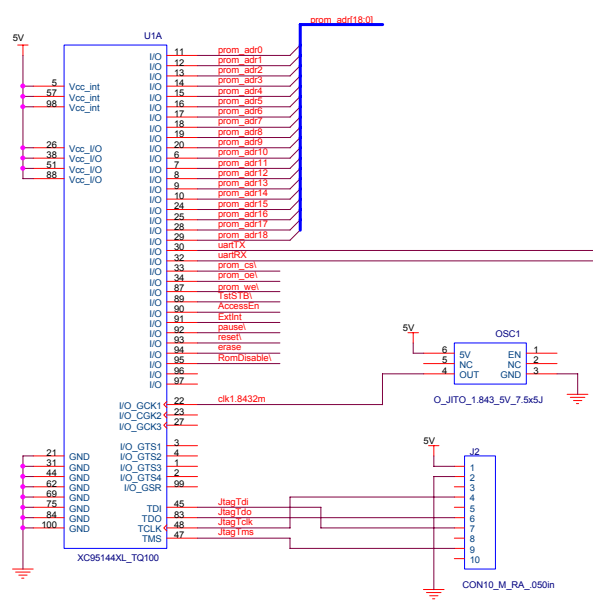
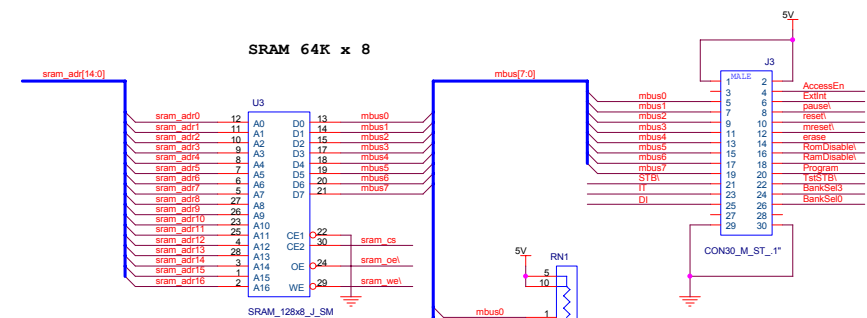


Letter	Zone	Description	Date	By	Approved

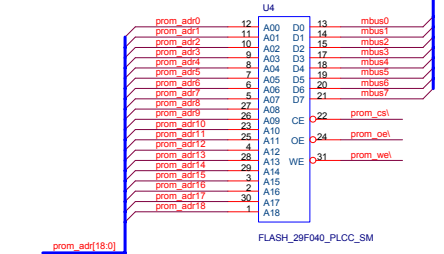


J3 Connector

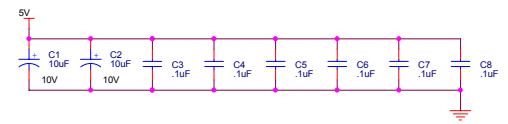
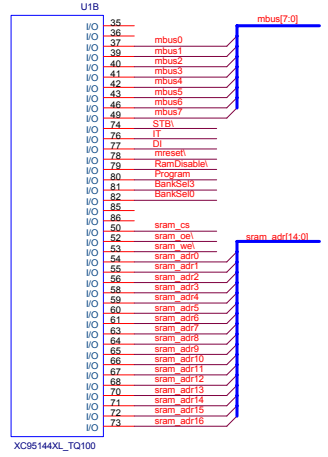
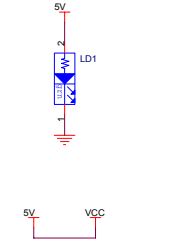


SRAM 64K x 8

ECU PROM



Power LED



TitleBlockNortel

This drawing and specification herein are the property of Nortel Networks and shall not be reproduced or copied or used in whole or in part as the basis for the manufacture or sale of items without written permission.

SCHEMATIC1

Nortel Networks
4000 Veterans Memorial Highway
Bohemia, NY 11716

APPROVED: _____

Title: **ECC4TUNER**

Size: C Document Number: 5195519 Sheet: 1 of 1 Rev: 1

Date: Friday, April 06, 2001 Document File Name: \\ASH1\0\DESIGN\SEC04\UNER\DRAW\ECC4TUNER.DSN