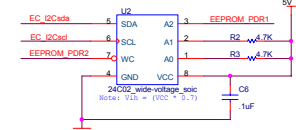
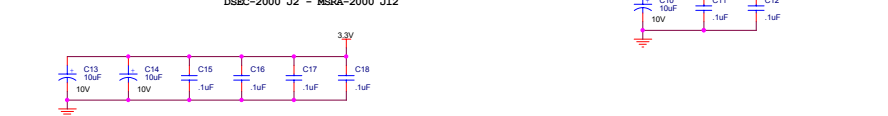
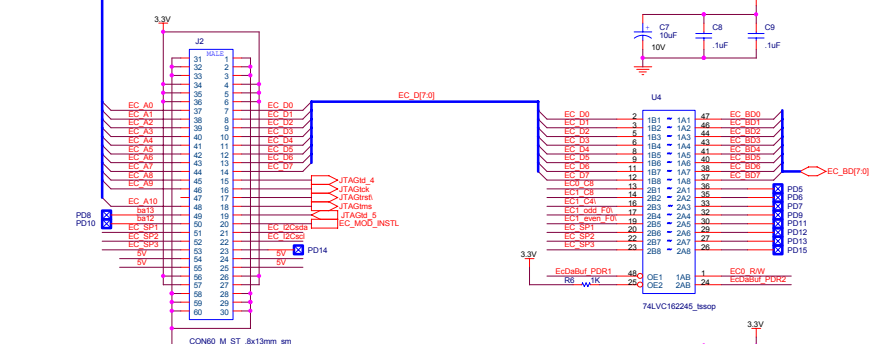
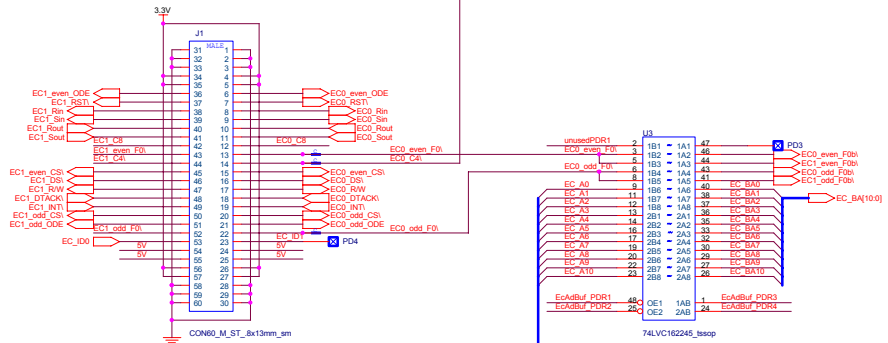
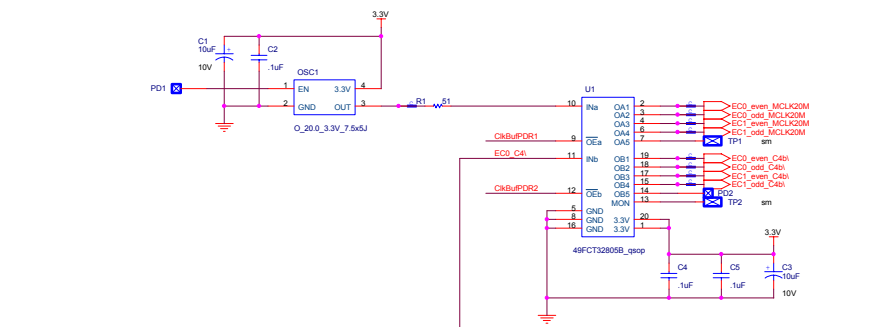


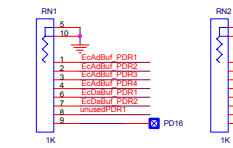
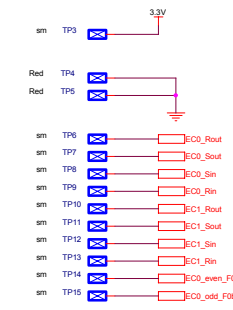
Letter	Zone	Description	Date	By	Approved



Board Info (SM)

DSEC Boards Map

ID1 ID0	Board Installed
0 0	Spare
0 1	DSEC-1000
1 0	DSEC-2000
1 1	No DSEC installed



TitleBlock/Intel

This drawing and specification herein are the property of Nortel Networks and shall not be reproduced or copied or used in whole or in part as the basis for the manufacture or sale of items without written permission.

DSEC2000

Nortel Networks
4000 Veterans Memorial Highway
Bohemia, NY 11716

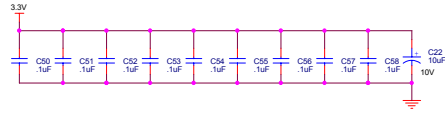
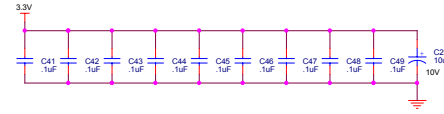
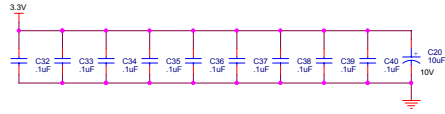
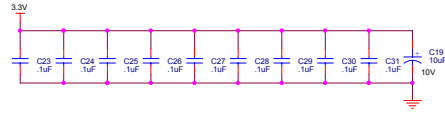
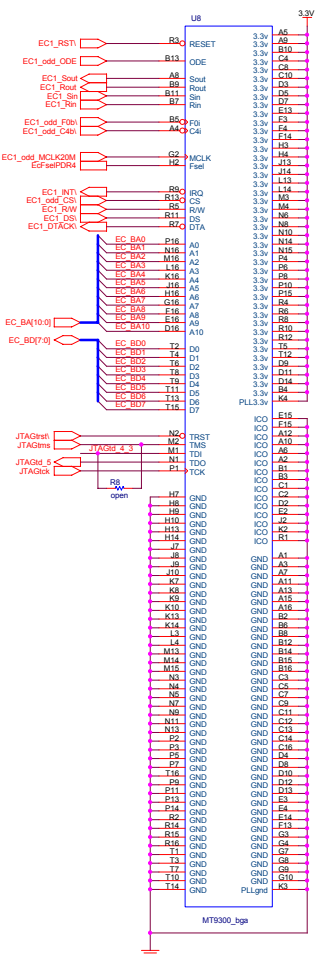
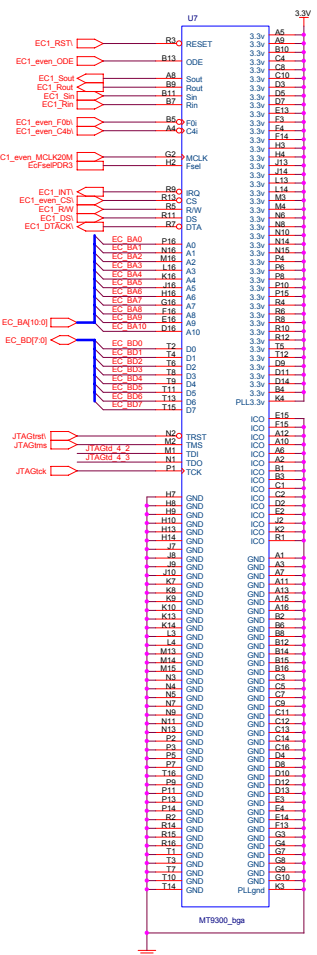
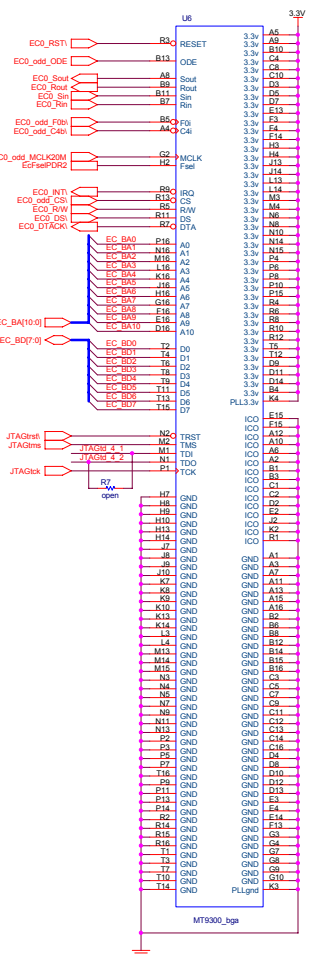
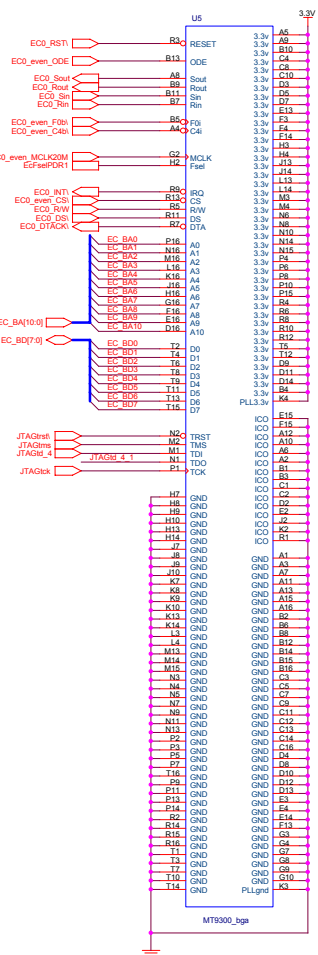
APPROVED:

File: **DSEC-2000**

Size: Document Number
Part#: PE000000
Date: 1/25/00
Document File Name: C:\DASH\ENR\DESIGN\JOB\600001\RAW\ASE\600001.RSN

Sheet 1 of 2
Rev 1

misc



This drawing and specification herein are the property of NorTel Networks and shall not be reproduced or copied or used in whole or in part as the basis for the manufacture or sale of items without written permission.

DSEC2000

Nortel Networks
4000 Veterans Memorial Highway
Bohemia, NY 11716

APPROVED:

File: **DSEC-2000**

Size: [blank] Document Number: [blank]

Part#: PFCxxxxx

Rev: 1

Date: [blank]

Sheet: 2 of 2

Document File Name: C:\DASH\ENR\DESIGN\STAGE\WORKBOOK\RAW\HSE\G00001.RSN

