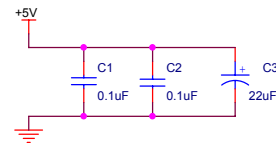
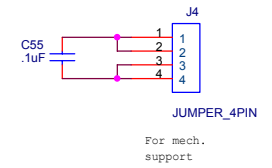
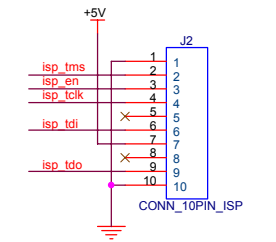
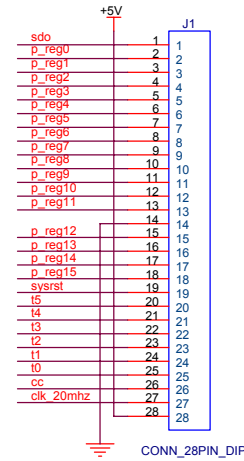
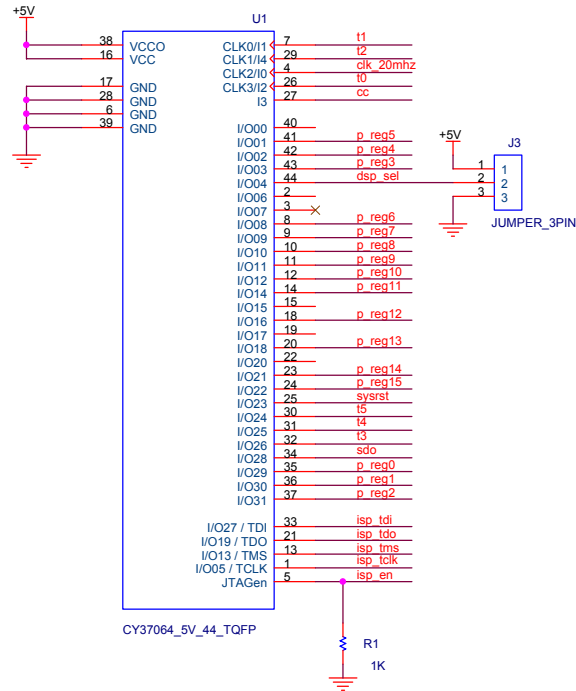


Letter	Zone	Description	Date	By	Approved
1		PRE-PRODUCTION REL			



This drawing and specification herein are the property of Periphonics Corporation and shall not be reproduced or copied or used in whole or in part as the basis for the manufacture or sale of items without written permission.

TitleBlockPERI

TDSQ-1000

Periphonics
A Nortel Networks Company
4000 Veterans Memorial Highway
Bohemia, NY 11716

APPROVED:

Title
TDSQ-1000

Size B	Document Number 5136460	Rev 1
Date: Friday, February 04, 2000	Sheet 1 of 1	
Document File Name: C:\PUBLIC_HTML\DESIGNS\TDSQ1000\DRAW\REVA\TDSQ1000.DSN		