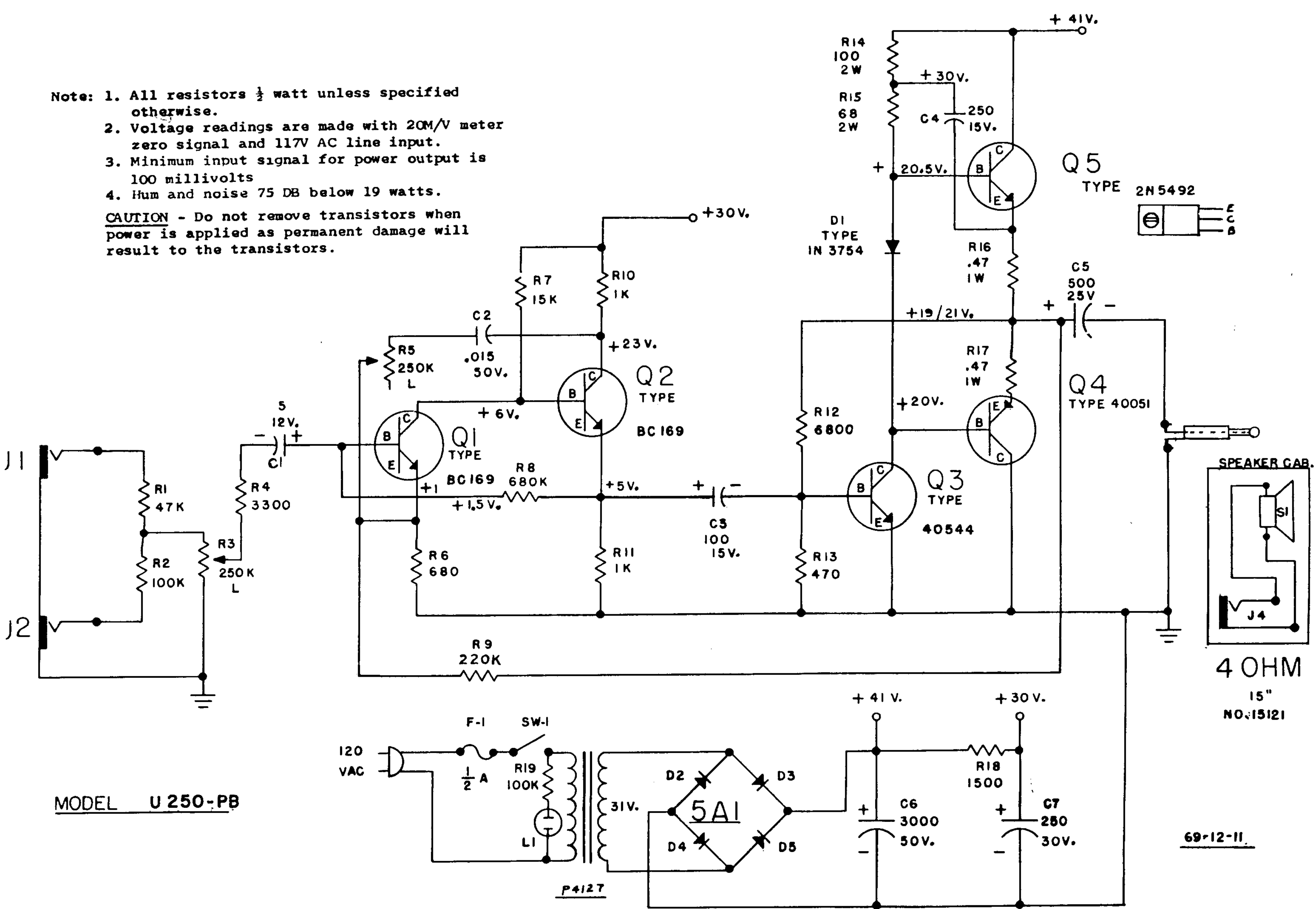


- Note: 1. All resistors  $\frac{1}{2}$  watt unless specified otherwise.  
 2. Voltage readings are made with 20M/V meter zero signal and 117V AC line input.  
 3. Minimum input signal for power output is 100 millivolts  
 4. Hum and noise 75 DB below 19 watts.

**CAUTION** - Do not remove transistors when power is applied as permanent damage will result to the transistors.



MODEL U 250-PB

69-12-11