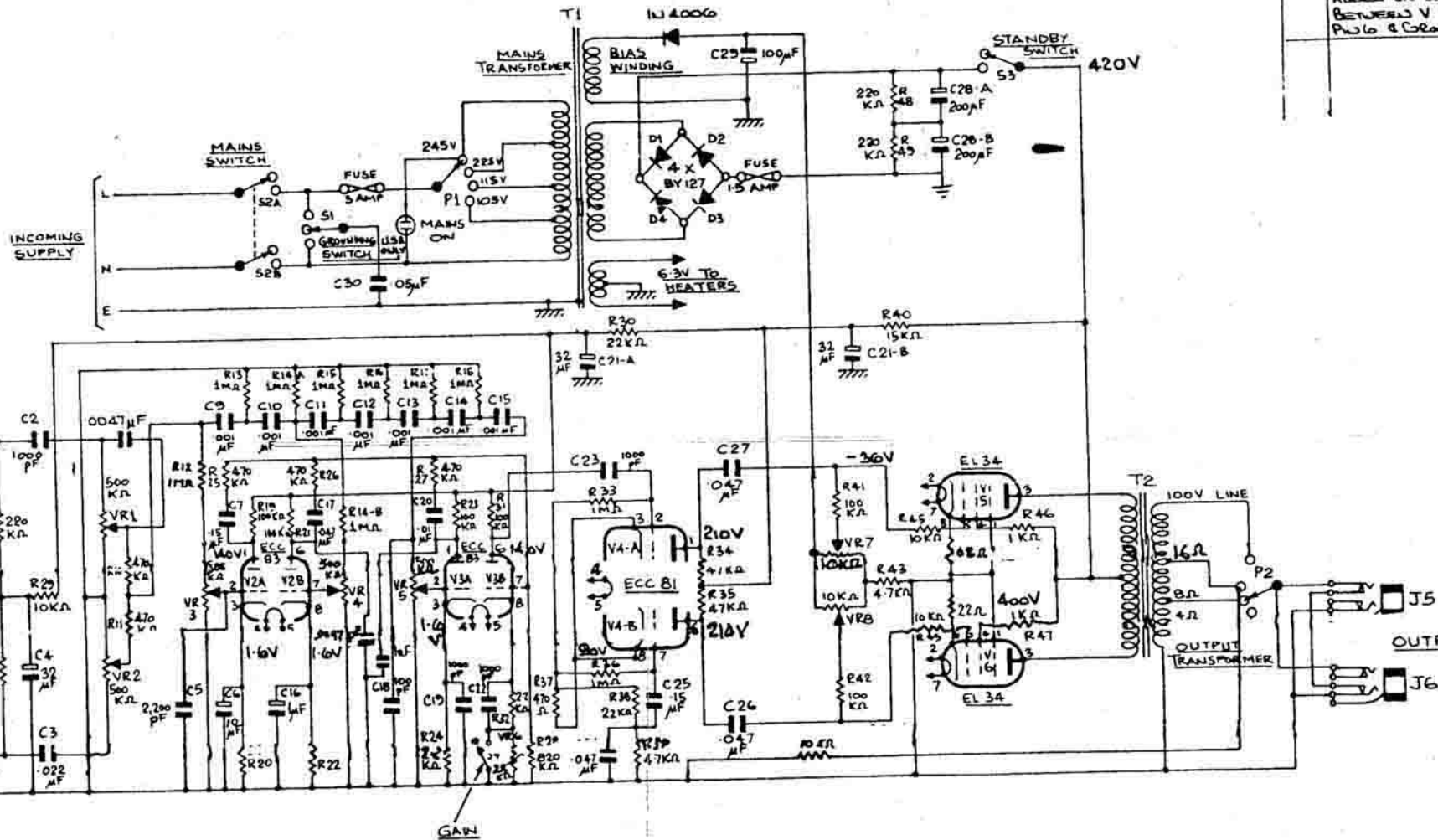
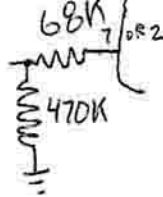


INPUT



LOW VOLT IN
 BETWEEN C25 & R50 DIS
 R50 TAKES TO
 C25 AND
 ADDED CAP 100
 BETWEEN V
 P.W. 6 & C25

GAW