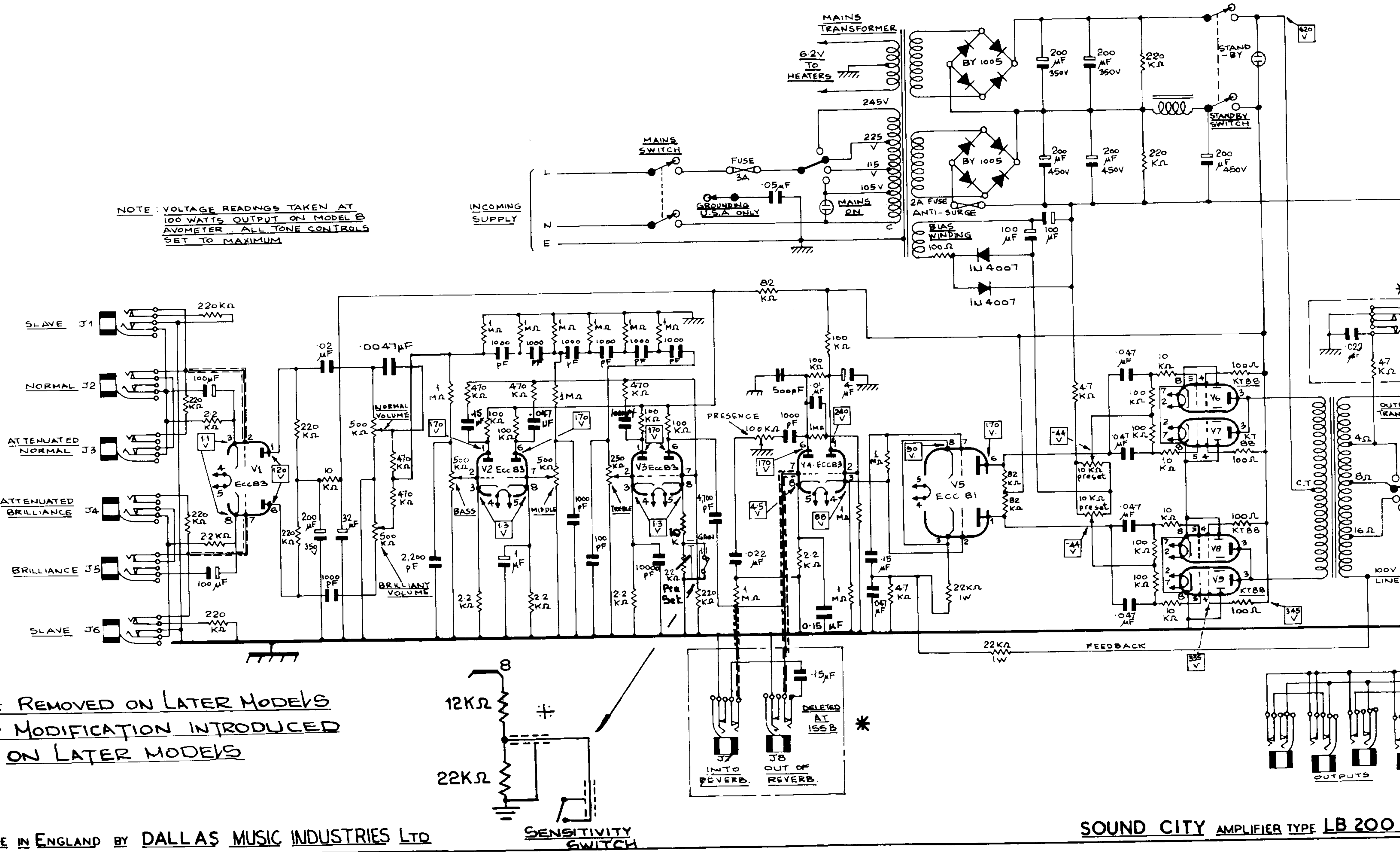


NOTE: VOLTAGE READINGS TAKEN AT 100 WATTS OUTPUT ON MODEL B AVOMETER. ALL TONE CONTROLS SET TO MAXIMUM



* REMOVED ON LATER MODELS
MODIFICATION INTRODUCED ON LATER MODELS

