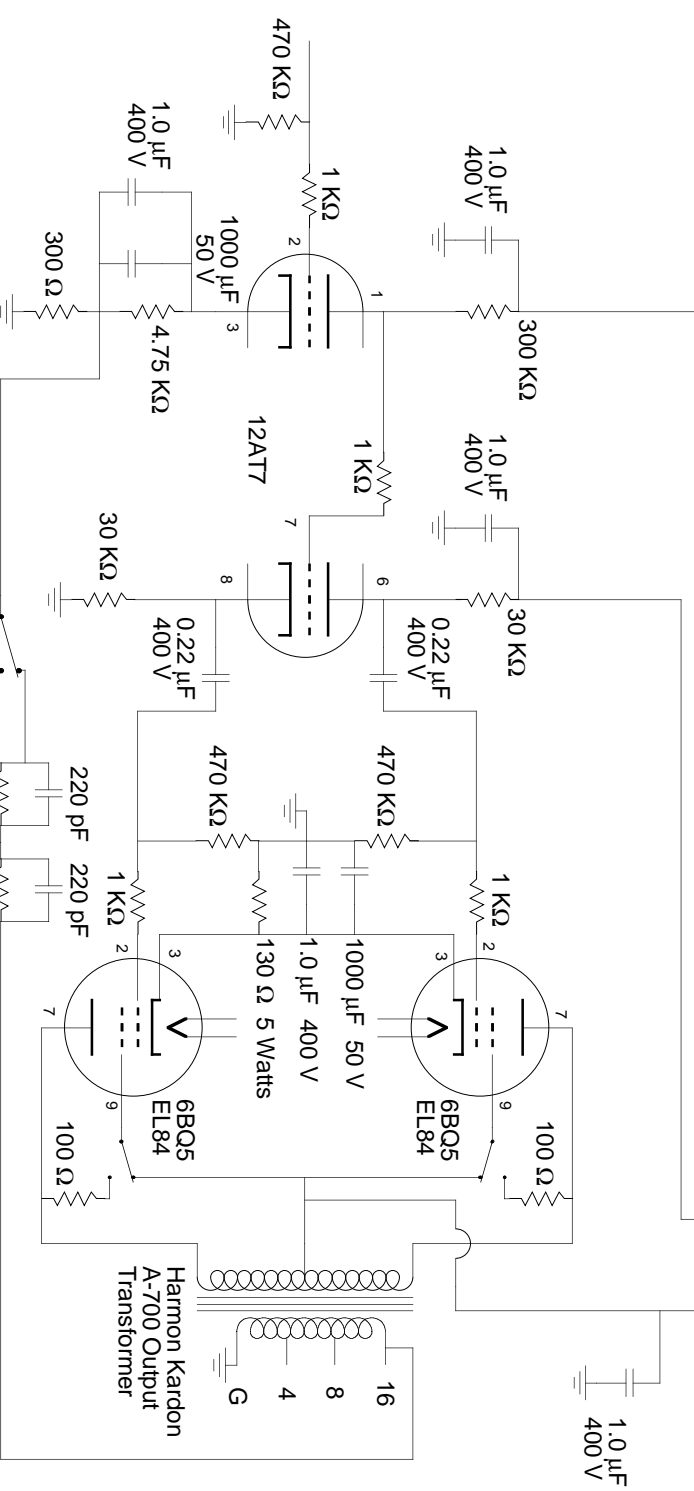


**SDS Labs**  
 Push-Pull EL84 Amplifier  
 (Ideal For Quad ESLs)  
 April 2, 1996

450 VCT @ 75 mA  
 6.5 V @ 4.5 A



Feedback Switch  
 (low, off, high)  
 (9 dB, 0 dB, 15 dB)