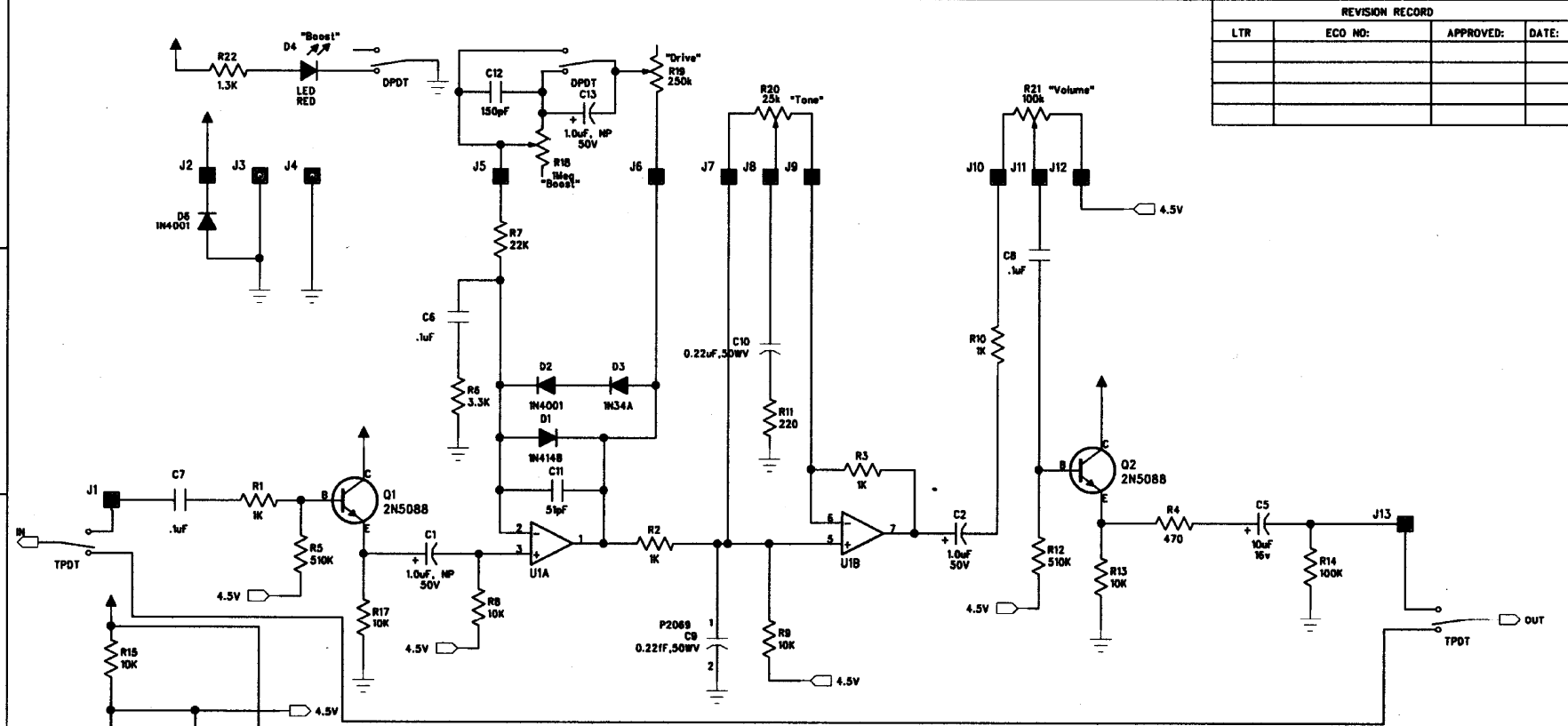


6                      5                      4                      3                      2                      1

REVISION RECORD			
LTR	ECO NO:	APPROVED:	DATE:



D

D

C

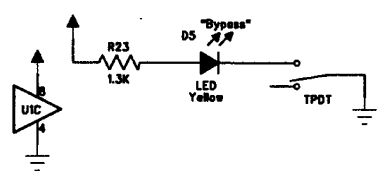
C

B

B

A

A



COMPANY:

TITLE: **Screamer+**

DRAWN: <b>J. E. Greene</b>	DATED: <b>12/22/97</b>
CHECKED:	DATED:
QUALITY CONTROL:	DATED:
RELEASED:	DATED:

CODE:	SIZE:	DRAWING NO:	REV:
SCALE:			SHEET: 1 OF 1