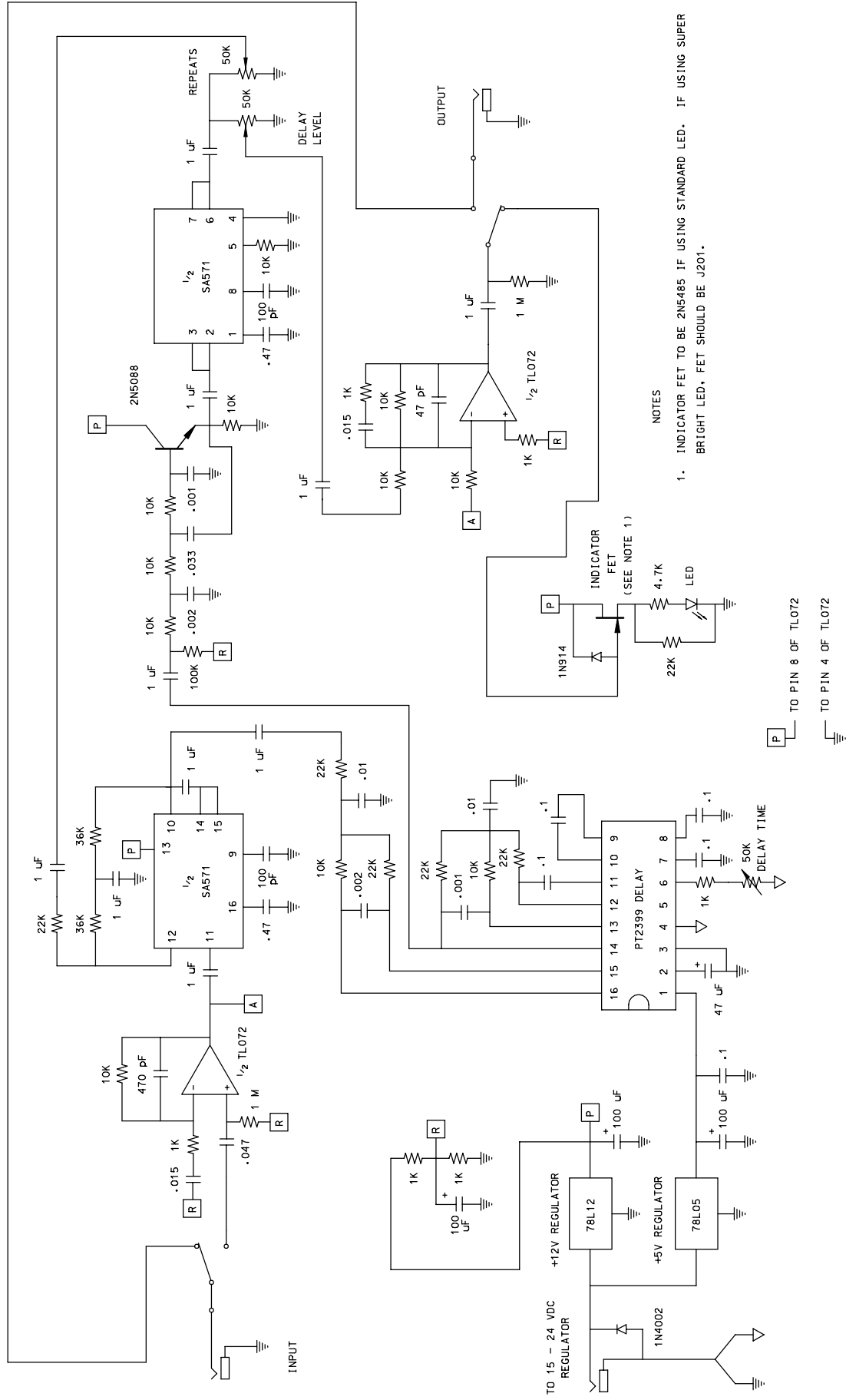


PT-80 DELAY

COPYRIGHT 2002 BY SCOTT SWARTZ, ALL RIGHTS RESERVED



- NOTES
- INDICATOR FET TO BE 2N5485 IF USING STANDARD LED. IF USING SUPER BRIGHT LED, FET SHOULD BE J201.

