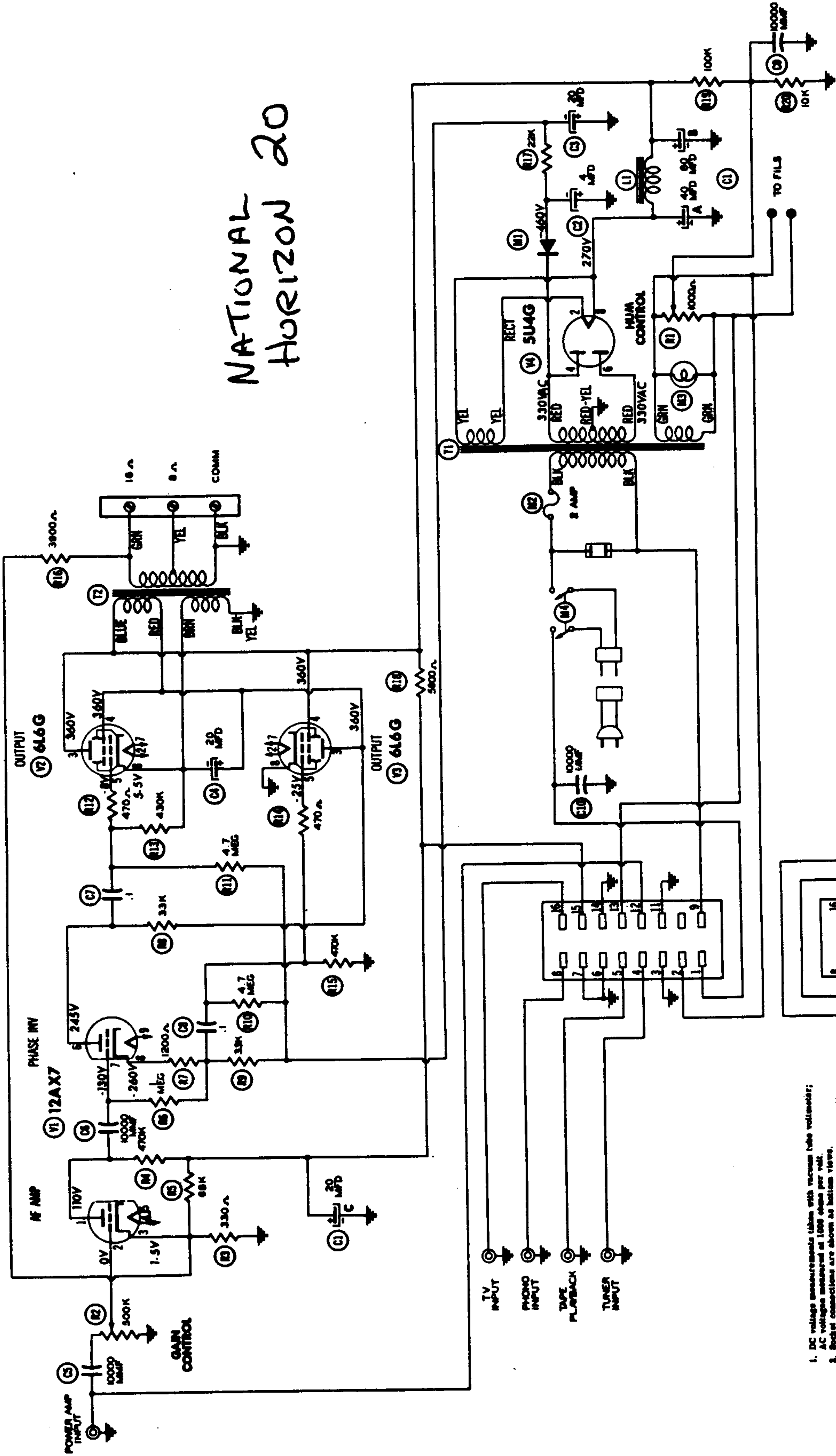
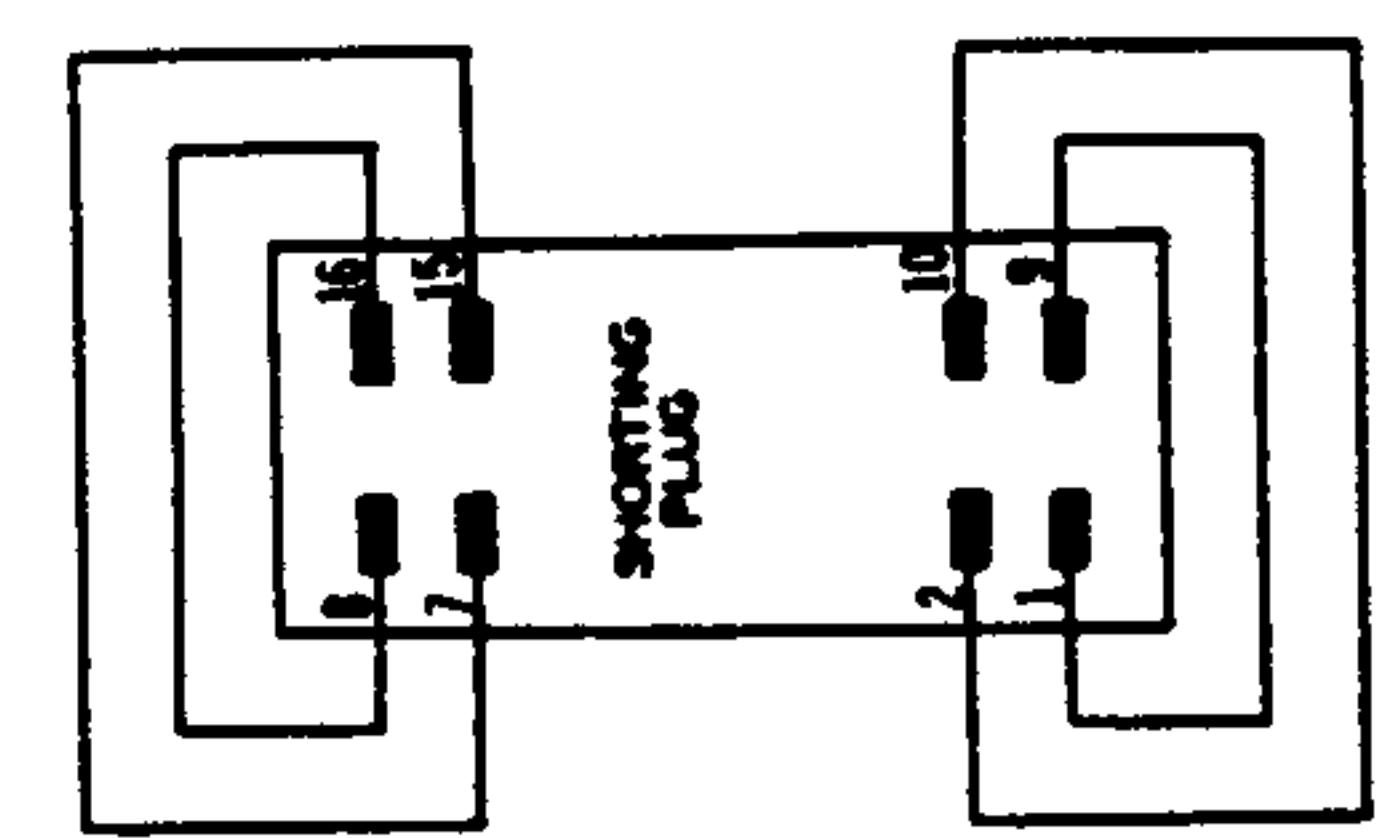


NATIONAL HORIZON 20



RESISTANCE READINGS
* MEASURED FROM PIN 1 OF V1

Item	Tube	Pin 1	Pin 2	Pin 3	Pin 4	Pin 5	Pin 6	Pin 7	Pin 8	Pin 9
V 1	12AX7	1	2	3	4	5	6	7	8	9
V 2	6L6G	1	2	3	4	5	6	7	8	9
V 3	6L6G	1	2	3	4	5	6	7	8	9
V 4	6L6G	1	2	3	4	5	6	7	8	9



- DC voltage measurements taken with vacuum tube voltmeter;
- AC voltage measured at 1000 ohms per volt;
- Socket connections are shown as bottom views;
- Measured values are from socket pins to common negative;
- Line voltage maintained at 117 volts for voltage readings;
- Nominal tolerance on component values makes possible a variation of ±1% in voltage and resistance readings;
- All controls at minimum, proper output level checked.