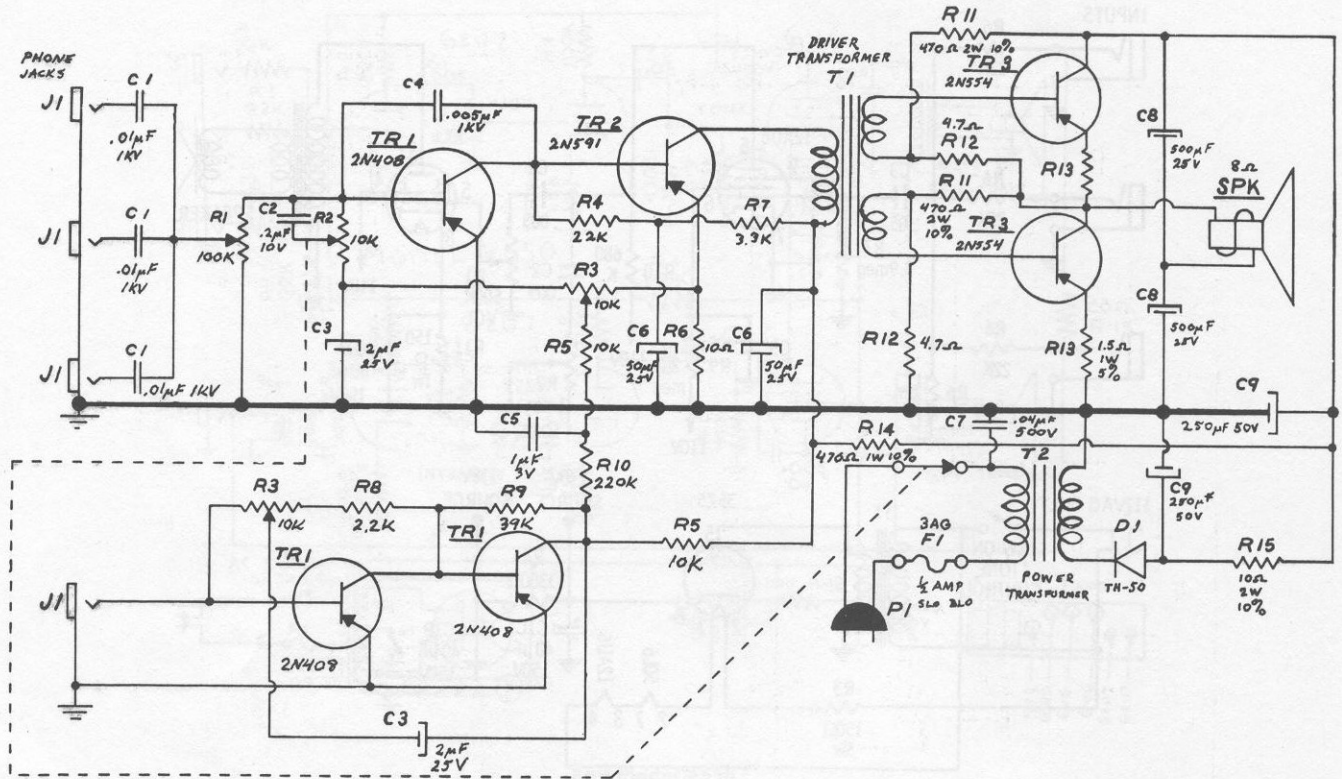
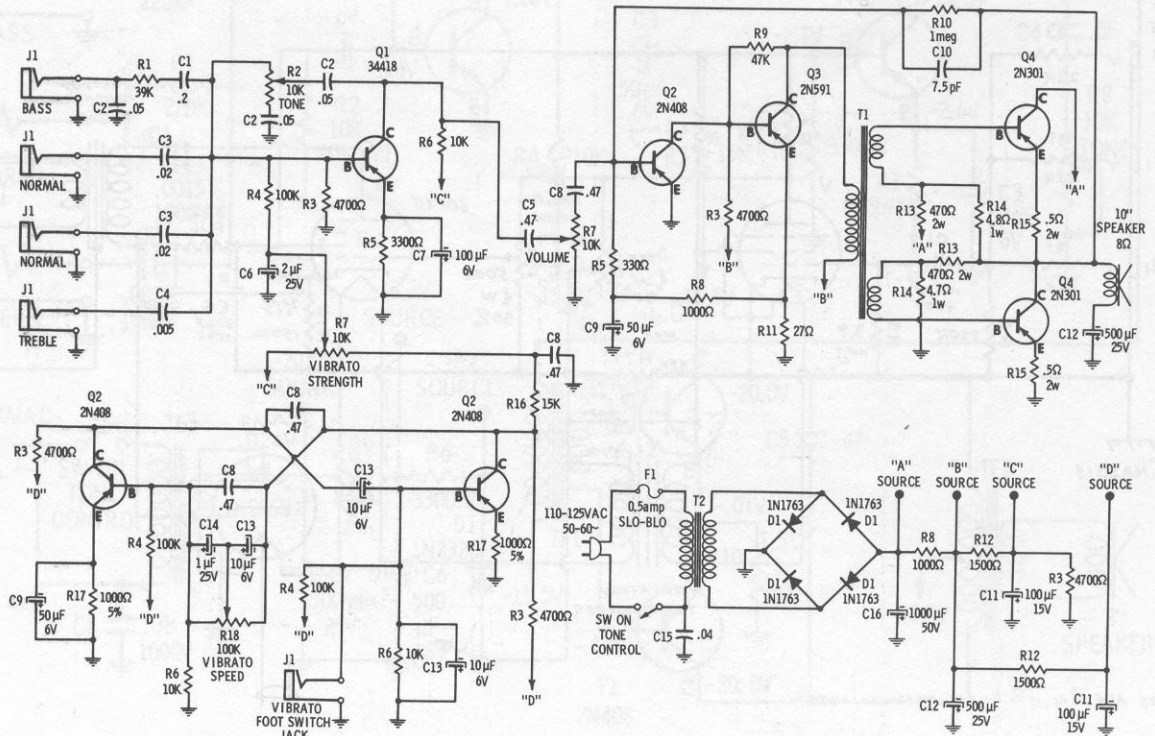


Commercial Instrument Amplifiers



ALL RESISTORS ARE 1/2W, 10% UNLESS OTHERWISE NOTED

Key Model 704



Key Model 705