

T1 COLOR CODE 150 WATT

V4 PLATE = RED  
 V5 PLATE = BROWN  
 CENTER TAP = WHITE

PRIMARY

16 OHM TAP = GREEN  
 8 OHM TAP = YELLOW  
 4 OHM TAP = BLACK  
 GROUND = BROWN

SEC

T1 COLOR CODE 75 WATT

V4 PLATE = BROWN  
 V5 PLATE = BLUE  
 CENTER TAP = BLACK

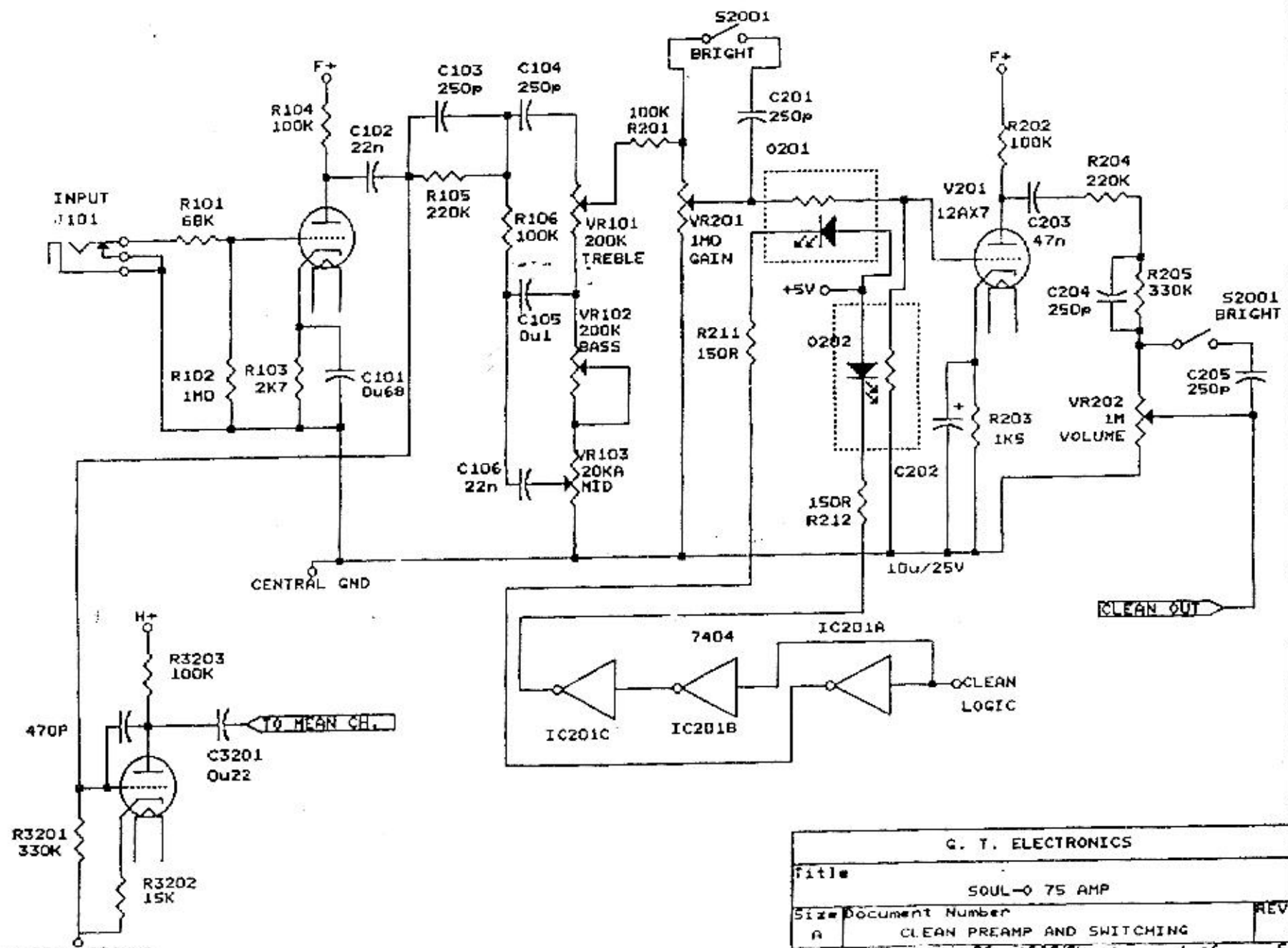
PRIMARY

16 OHM TAP = ORANGE  
 8 OHM TAP = BROWN  
 4 OHM TAP = RED  
 GROUND = PURPLE

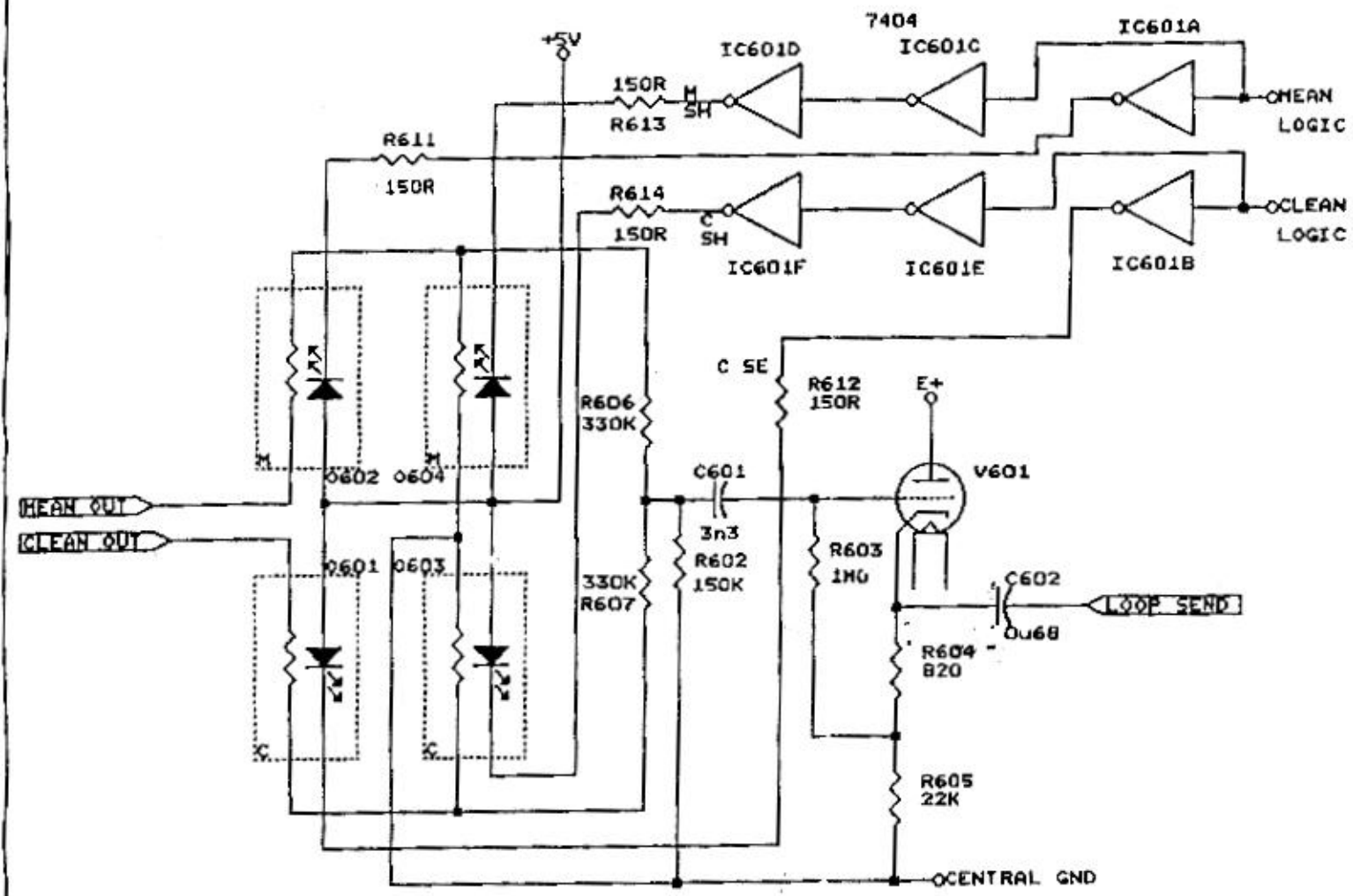
SEC

The fifth page is missing  
 but is only the power supply I'll send  
 you an email if I find it

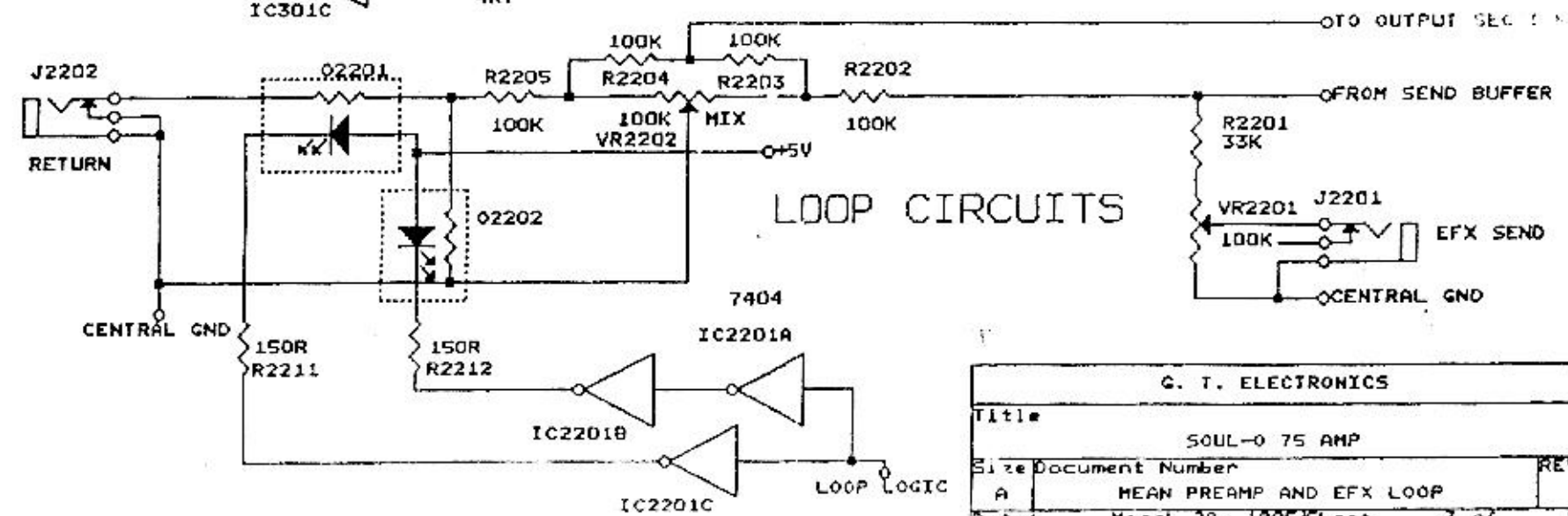
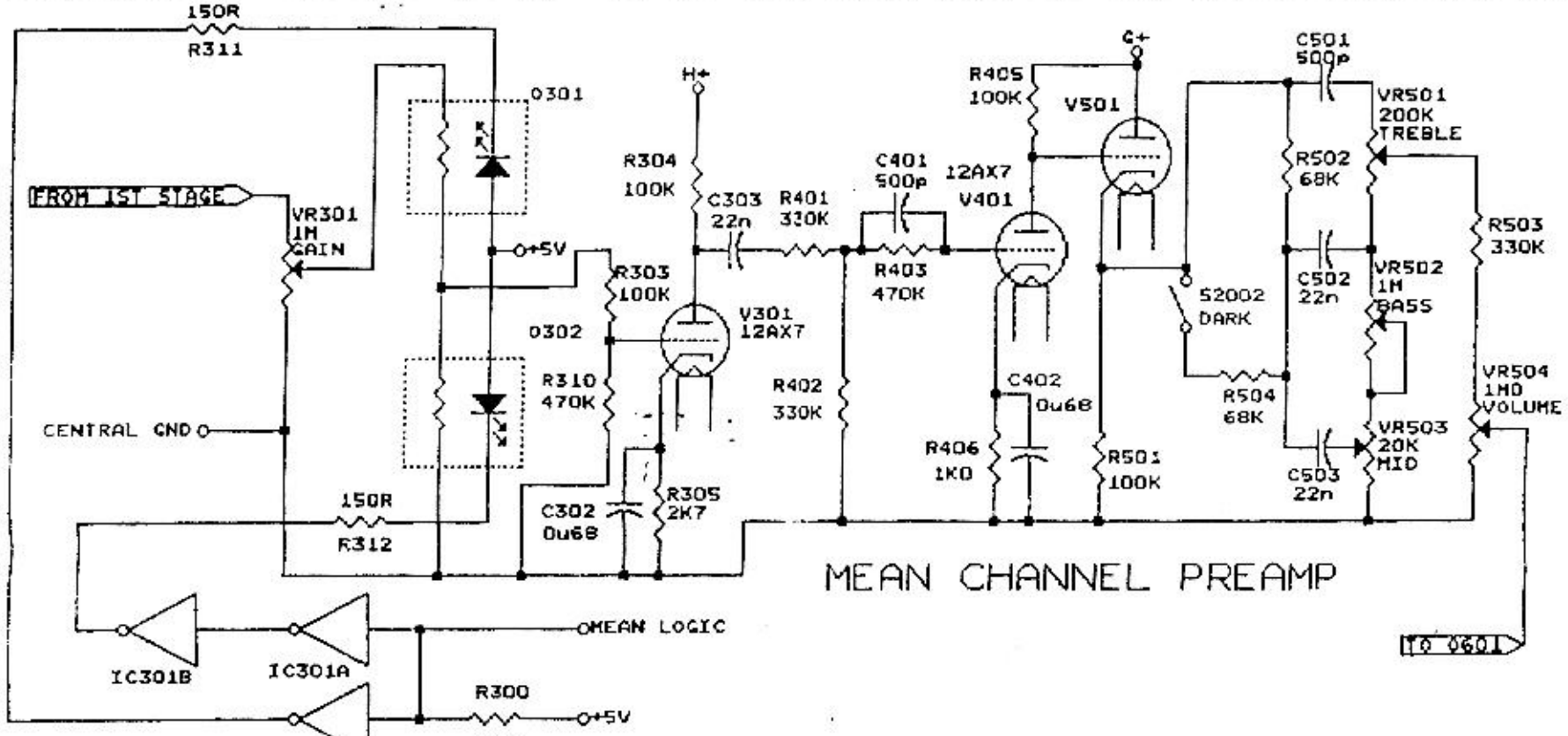
G. ELECTRONICS	
Title	SOUL-O 75 AMP
Size Document Number	REV
A	OUTPUT SECTION



<b>G. T. ELECTRONICS</b>			
File		SOUL-0 75 AMP	
Size	Document Number	REV	
a	CLEAN PREAMP AND SWITCHING		



G. T. ELECTRONICS	
Title	SOUI 75 AMP
Size Document Number	REV



G. T. ELECTRONICS		
Title		
SOUL-0 75 AMP		
Size	Document Number	REV
A	MEAN PREAMP AND EFX LOOP	
Date:	March 29, 1995	Sheet 3 of 5