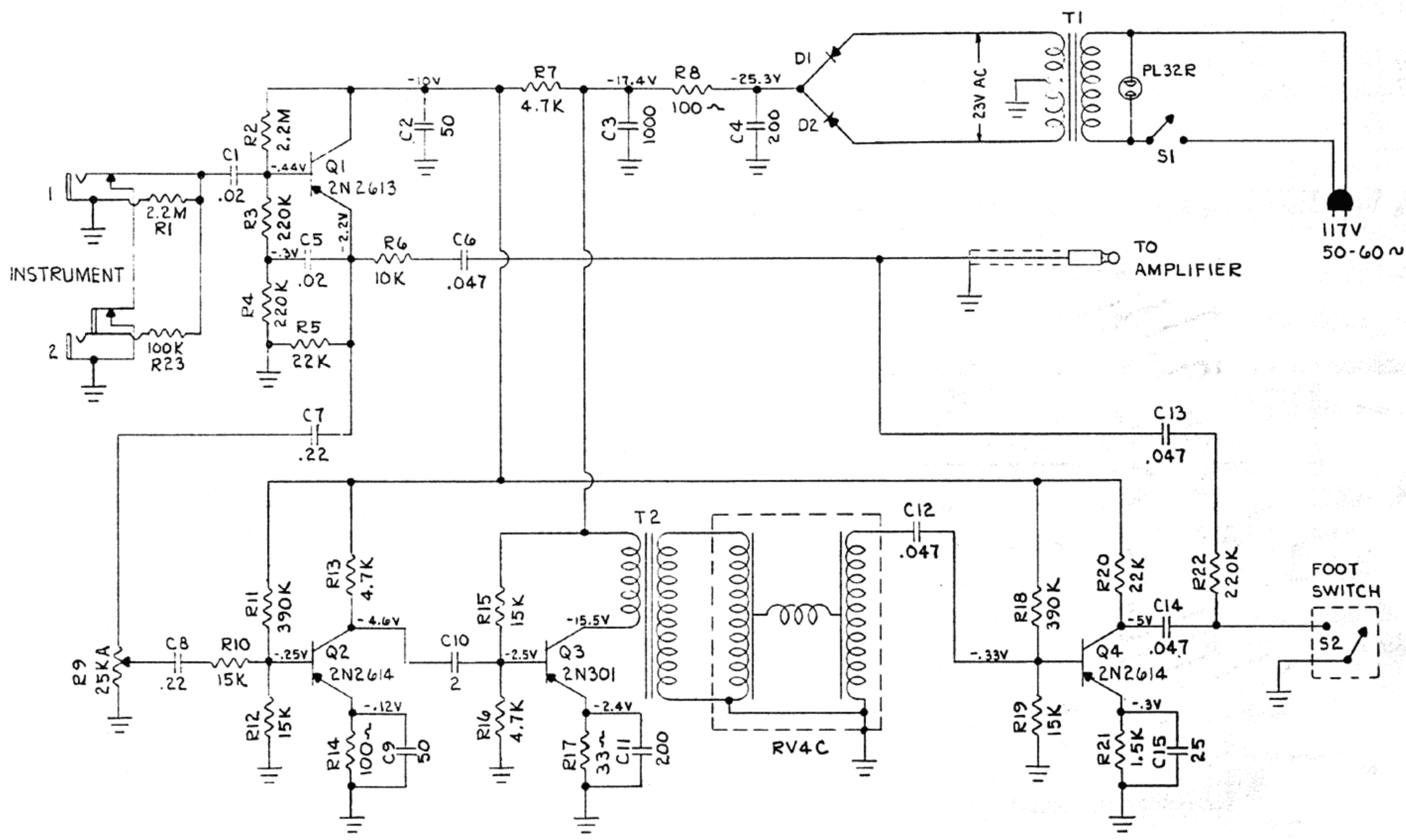


# GA-3RV



T1	Power Transformer	TF-101P
T2	Reverb. Transformer	TF-100OR
D1, D2	Diodes, 200 PIV, 150 Ma	DI-69A
R9	25K, Audio taper $\pm$ 30%	CBA-811-371.2
S1	Switch, SPST Rotary	SW-898-1