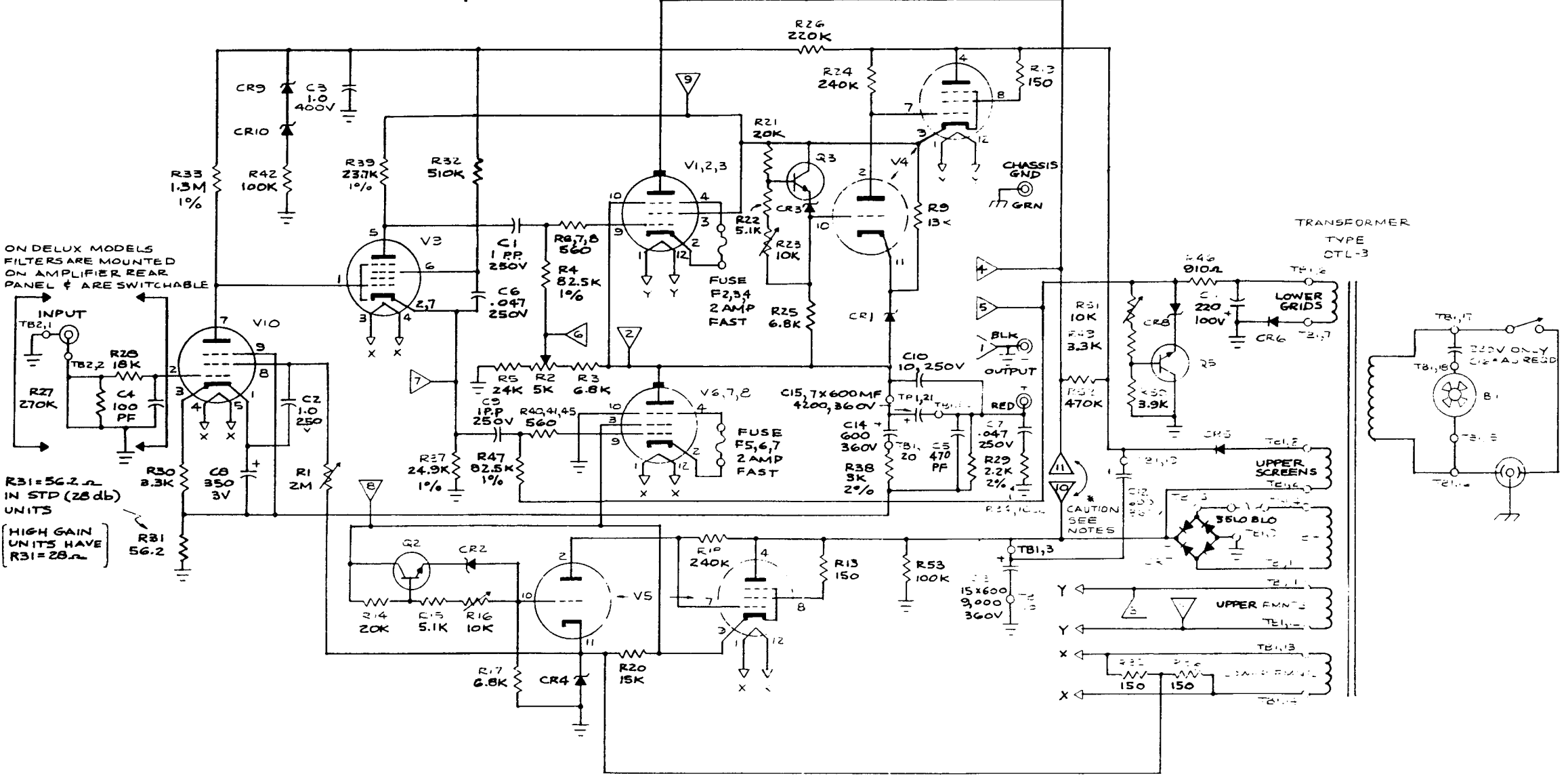


# FUTTERMAN OTL-3 Power Amp



ON DELUX MODELS FILTERS ARE MOUNTED ON AMPLIFIER REAR PANEL & ARE SWITCHABLE

R31 = 56.2 Ω IN STD (28 db) UNITS  
HIGH GAIN UNITS HAVE R31 = 28 Ω

**NOTE**

- VI,2,3,6,7,8 = MATCHED SET 6LFG.
- V4,5 = 6LUB/6MY8
- V3 = 6FS5
- V10 = 6EU7
- ▽ DENOTES PIN NO. ON TEST SOCKET
- Q2,3,5 = TIP50/ECG 13B
- CR1-CR4 = 70V 5 WATTS 5%
- CR2-CR3 = 80V 5 WATTS 5%
- CR8 - 20V = 5 WATTS 5%
- CR7 = K2BC-2504 - 25 AMPERE PACKAGED BRIDGE
- CR9 = 170-5W 5%
- CR10 = 180-5W 5%
- OTHER CR = IN4007

- ALL CAPACITORS ARE IN MF UNLESS OTHERWISE NOTED
- P.P. IS POLYPROPYLENE
- \* DO NOT OPERATE AMPLIFIER WITHOUT TEST POINTS 10 & 11 JUMPED

\* CAUTION SEE NOTES