

BOSS GE-7 Equalizer

1

2

3

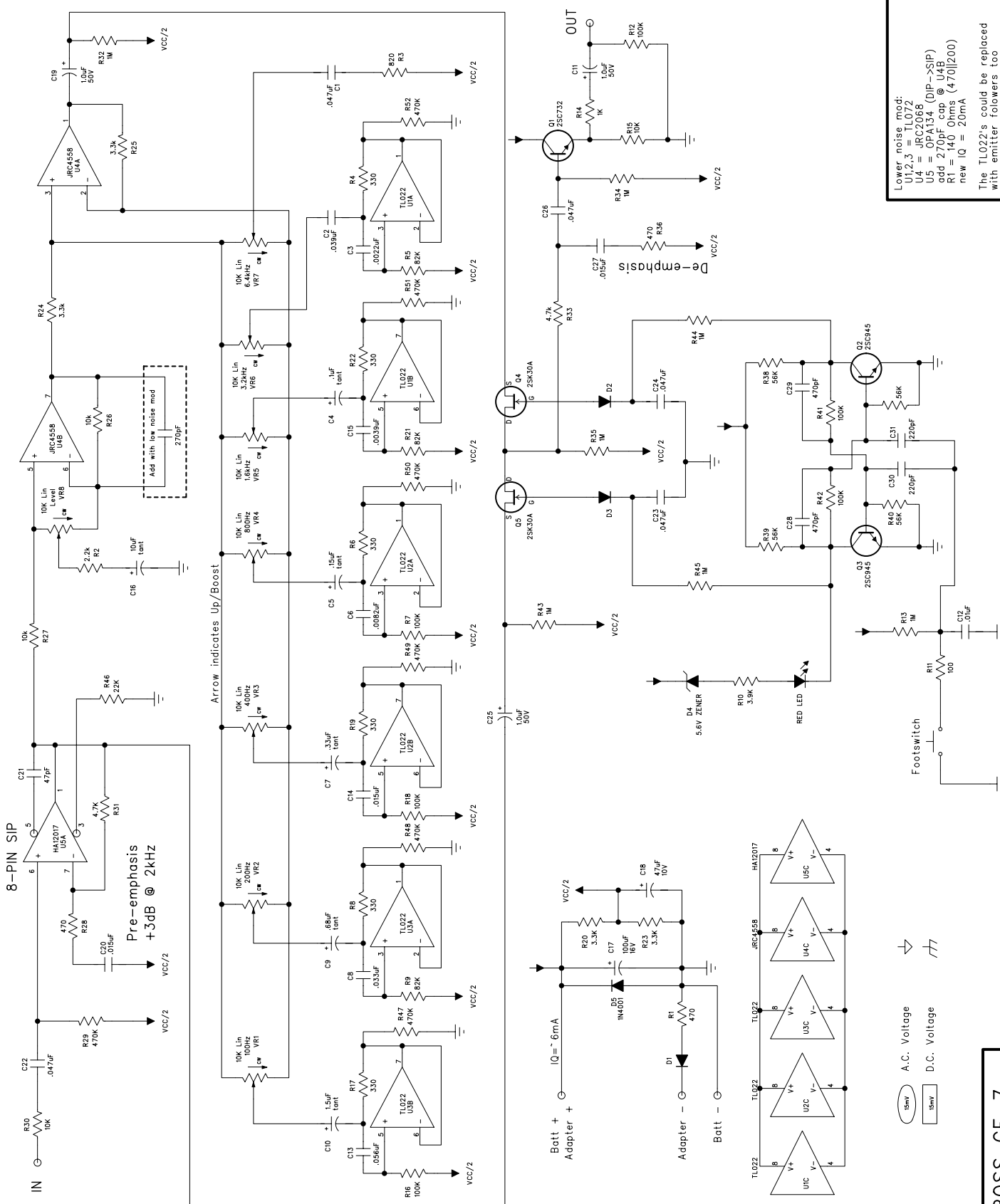
4

5

6

7

8



Lower noise mod:
 U1,2,3 = TL072
 U4 = JRC2066
 U5 = OPA134 (DIP->SIP)
 add 270pF cap @ U4B
 R1 = 140 Ohms (470|200)
 new IQ = 20ma

The TLQ22's could be replaced with emitter followers too with some tweaking

BOSS GE-7
 DRAWN: 04/2000
 Jon Halverson
 jhalvers@enteract.com

