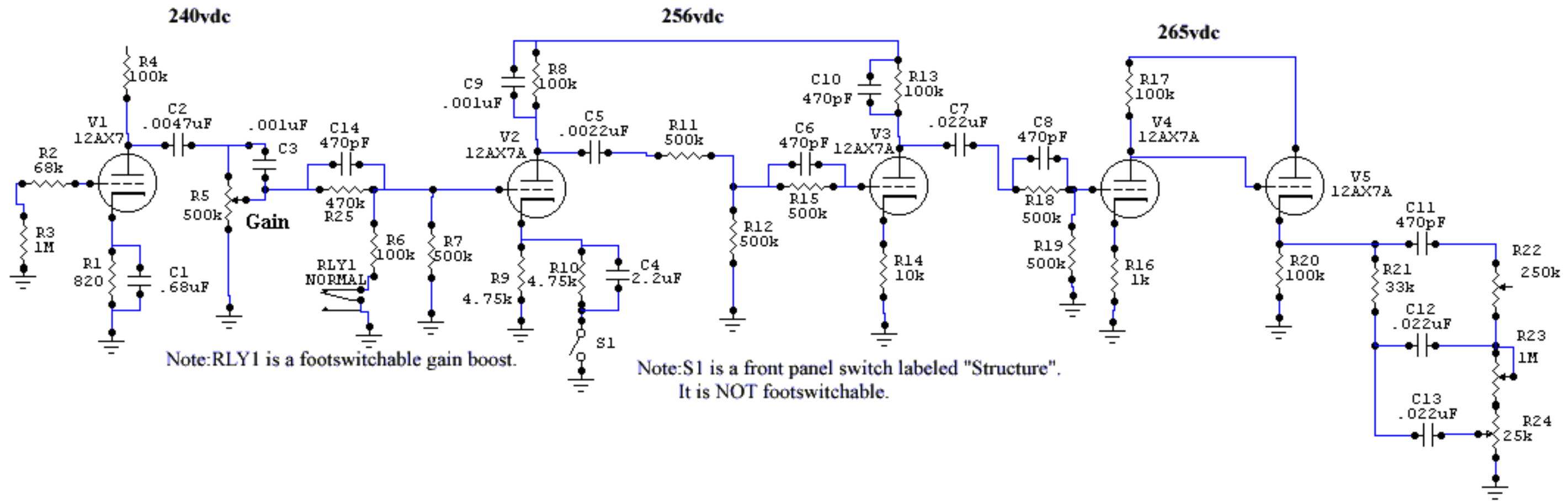


Ecstasy OD channel



Note: RLY1 is a footswitchable gain boost.

Note: S1 is a front panel switch labeled "Structure". It is NOT footswitchable.