

1

2

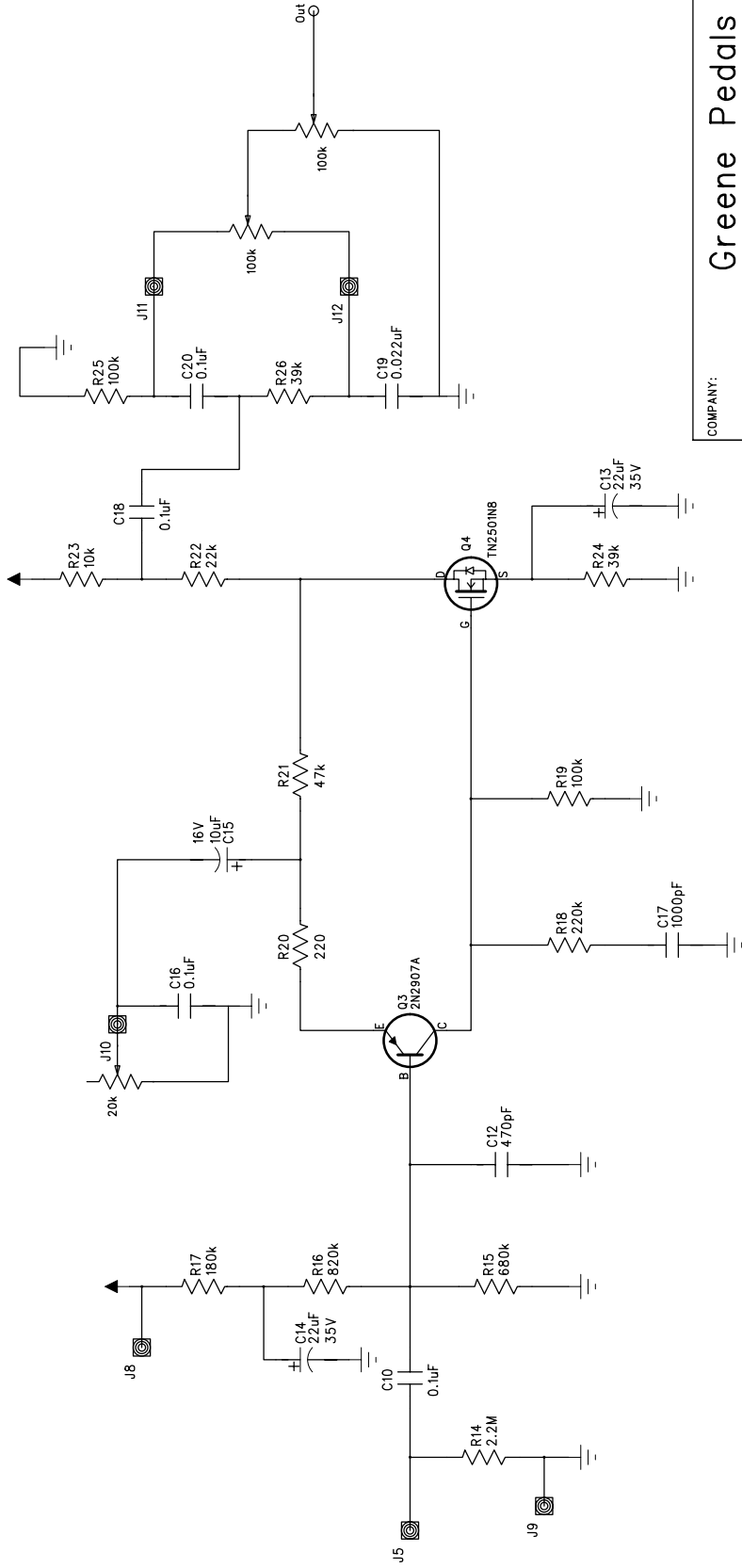
3

4

5

6

REVISION RECORD		
LTR	ECO NO.	DATE



COMPANY: <b>Greene Pedals</b>	
TITLE: <b>Fuzz</b>	
CODE:	DRAWING NO.:
SIZE:	REV.:
SCALE:	SHEET: OF

DRAWN: <b>J. E. Greene</b>	DATED: <b>03/19/00</b>
CHECKED:	DATED:
QUALITY CONTROL:	DATED:
RELEASED:	DATED:

D

C

B

A