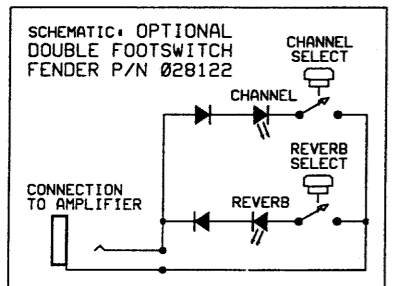
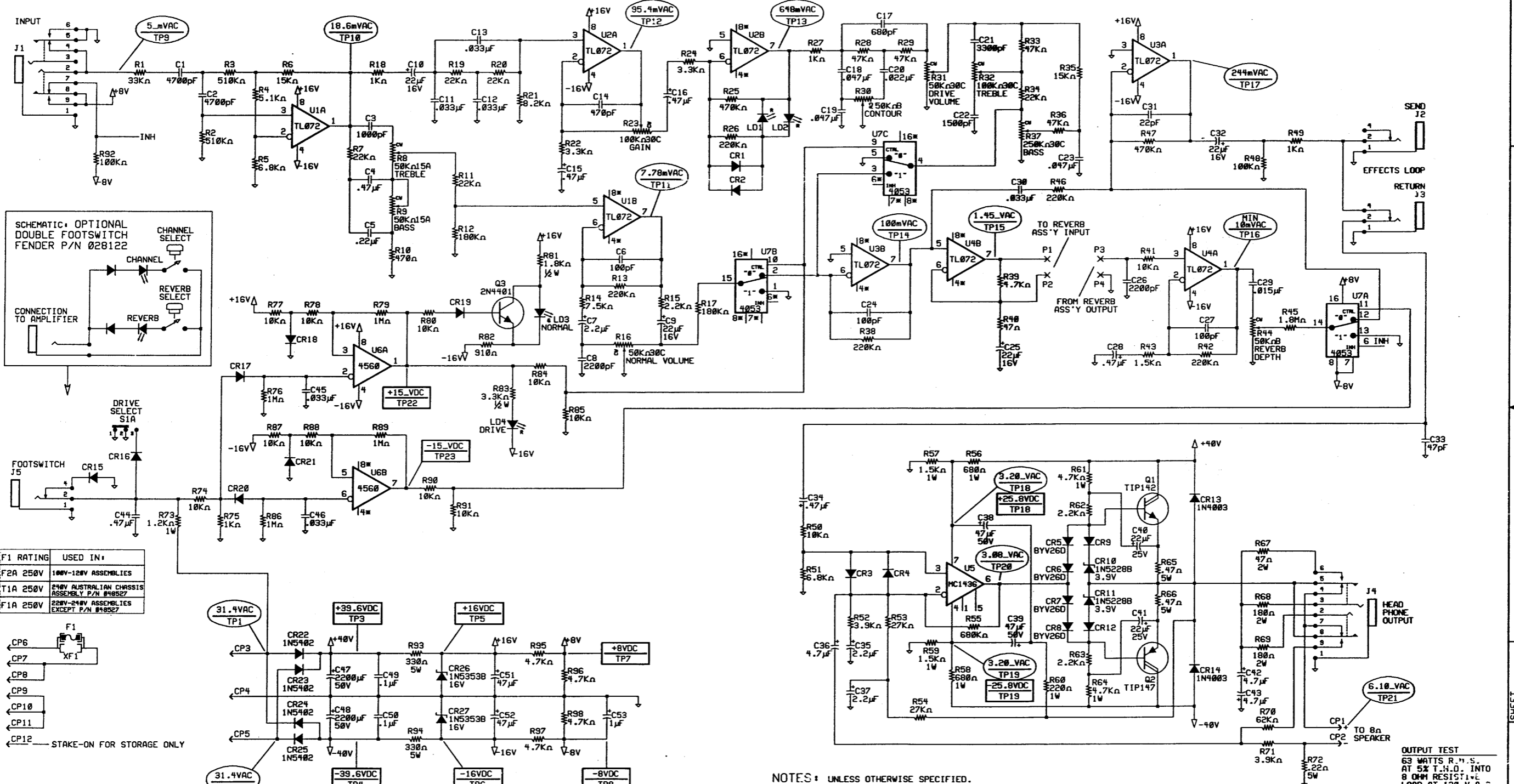
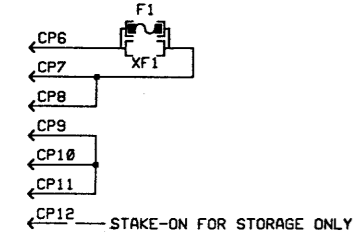


REVISIONS				
ZONE	REV.	DESCRIPTION	DATE	APPROVED
	A	EC #1170	1-8-93	MH
	B	EC #2058	4-20-98	FM



F1 RATING	USED IN:
F2A 250V	100V-120V ASSEMBLIES
T1A 250V	240V AUSTRALIAN CHASSIS ASSEMBLY P/N #98527
F1A 250V	220V-240V ASSEMBLIES EXCEPT P/N #98527



- NOTES: UNLESS OTHERWISE SPECIFIED.
- ALL RESISTORS 1/4W, ± 5%.
 - ALL CAPACITORS 35V MINIMUM.
 - ALL DIODES 1N4448.
 - AC AND DC VOLTAGES READ TO GROUND WITH A DVM UNDER THE FOLLOWING CONDITIONS:
 1kHz INPUT AT J1
 8Ω RESISTIVE LOAD CONNECTED AT CP1-CP2
 NO FOOTSWITCH
 DRIVE SELECT "ON"
 REVERB "0"
 GAIN SET TO 9 O'CLOCK
 ALL OTHER CONTROLS SET TO 12 O'CLOCK

LAST INSTANCES: C53 CP12 CR27 F1 J5 LD4 P4 Q3 R98 S1 TP23 U7 XF1

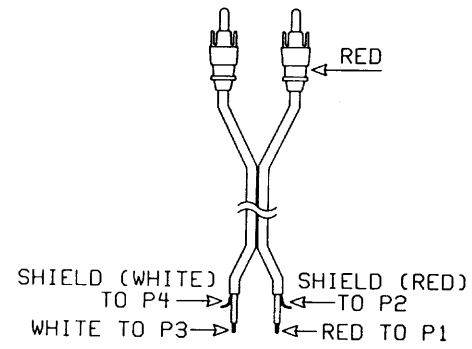
DATABASE FILE: PR112S CHECKED BY: <i>[Signature]</i> DATE: 4-22-98 APPROVED: <i>[Signature]</i> DATE: 4-22-98 TOLERANCES: MACHINING X.X ±0.050" X.XX ±0.010" X.XXX ±0.005" ANGLES ±0.500°	PROPRIETARY THIS DRAWING DOCUMENT CONTAINS INFORMATION WHICH IS PROPRIETARY TO AND IS THE PROPERTY OF THE FENDER MUSICAL INSTRUMENTS CO. AND MAY NOT BE USED, REPRODUCED OR DISCLOSED IN ANY MANNER WITHOUT THE EXPRESS WRITTEN CONSENT FROM: FENDER MUSICAL INSTRUMENTS CO. 1130 COLUMBIA ST. BREA, CALIFORNIA 92621 ROCK ON, BAMA BODIES... NEXT HIGHER ASSEMBLY: PRINCETON 112 PLUS	FENDER MUSICAL INSTRUMENTS 1130 Columbia Street Brea, CA 92621 TITLE: SCHEMATIC DIAGRAM, PRINCETON 112 PLUS AMPLIFIER SIZE: DRAWN: B. DESI DRAWING NUMBER: 048520 ENGR: B. DESI SCALE: CREATED: 16-SEP-92 PLOTTED: 21-APR-98 SHEET 1 OF 1
---	--	---

PART NO. 0048521000 SHEET 1 OF 1

8 7 6 5 4 3 2 1

REVISIONS				
ZONE	REV.	DESCRIPTION	DATE	APPROVED
	A	EC #1170	4-23-94	<i>FM</i>

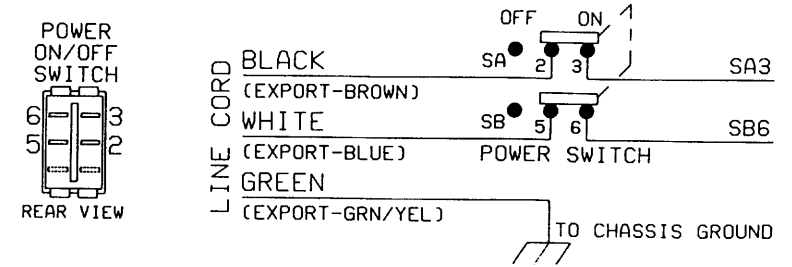
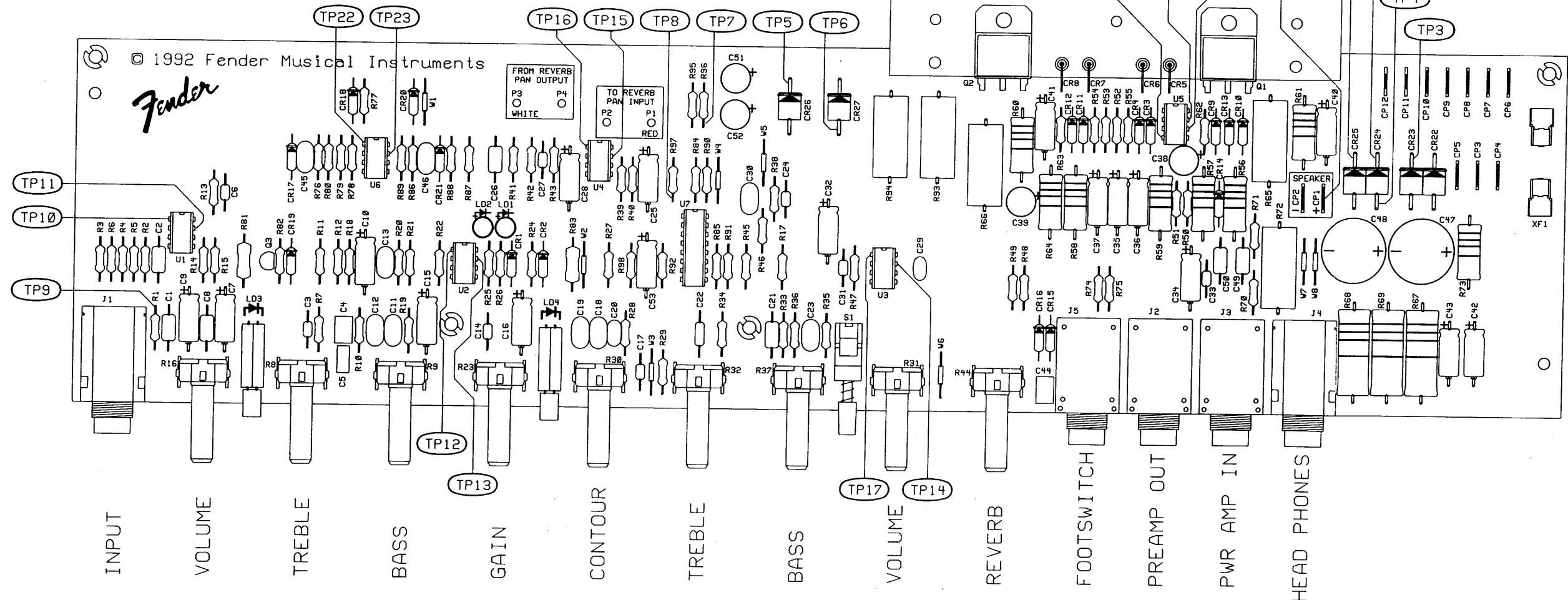
REVERB CABLE HOOKUP



EXPORT MODELS			
100V SA3	230V SA3	VIOLET	RED CP3
CP6	CP6	VIO/WHT	RED CP3
CP7	CP7	BLK/RED	RED/YEL CP4
CP9	CP9	BLK/GRN	RED/YEL CP4
CP8	CP10	BLK/YEL	RED CP5
SB6	CP12	WHITE	RED CP5
CP11	SB6	BLACK	RED CP5

DOMESTIC MODEL
 SB6 BLACK RED CP3
 RED/YEL CP4
 CP7 BLACK RED CP5
 POWER TRANSFORMER
 P/N 027668
 JUMPER CP6 TO SA3

POWER TRANSFORMER P/N 039357



FILM/DWG: SERVICE DIAGRAM
DATABASE: PR112SER DATE: 26-MAY-94
LAYERS PLOTTED: 1 2 3 4 10

DATABASE FILE: PR112SER
CHECKED BY: <i>MM</i>
DATE: 6-17-94
APPROVED: <i>FM</i>
DATE: 6-17-94
TOLERANCES: UNLESS OTHERWISE NOTED
X.X ±0.050"
X.XX ±0.010"
X.XXX ±0.005"
ANGLES ±0.500°

PROPRIETARY
 THIS DRAWING DOCUMENT CONTAINS INFORMATION WHICH IS PROPRIETARY TO AND IS THE PROPERTY OF THE FENDER MUSICAL INSTRUMENTS CO. AND MAY NOT BE USED, REPRODUCED OR DISCLOSED IN ANY MANNER WITHOUT THE EXPRESSED WRITTEN CONSENT FROM:
 FENDER MUSICAL INSTRUMENTS CO.
 1130 COLUMBIA ST.
 BREA, CALIFORNIA 92621
 ROCK ON.
 NEXT HIGHER ASSEMBLY:
 PRINCETON 112

Fender MUSICAL INSTRUMENTS
 1130 Columbia Street
 Brea, Co. 92621

TITLE: SERVICE DIAGRAM, PRINCETON 112+AMPLIFIER

SIZE: B	DRAWN: B. DESI	DRAWING NUMBER: 048522	REV. A
SCALE:	ENGR: B. DESI	CREATED: 04-DEC-92	PLOTTED: 23-APR-94

SHEET 1 OF 1

D

C

B

A

D

C

B

A

8 7 6 5 4 3 2 1